



REM[®]

WIDESPREAD LAVATORY FAUCET



- European minimalist design
- Cast brass spout and side valves
- Low profile handles (3/4" high)
- Ceramic disc valve cartridges
- 4-1/2" spout
- 8" centers
- 6"–12" flexible installation
- Speed Connect[®] with 1-1/4" drain
- Lead Free—faucet contains $\leq 0.25\%$ total lead content by weighted volume
- Maximum flow rate: 1.5 gpm (5.7 L/min)
- Low flow rate: 1.2 gpm (4.5 L/min)

CODES AND STANDARDS

Meets or Exceeds ASME A112.18.1/ CSA B125.1, NSF 61/Section 9

EPA WaterSense[®] Certified

Certified Compliant with $\leq 0.25\%$ Weighted Average Lead Content Regulations

CEC and CALGreen[®] Compliant



AVAILABLE FINISHES

Polished Chrome
Brushed Nickel

FINISH CODE

100
144

DESCRIPTION

Widespread Faucet
1.5 gpm (5.7 L/min)
— Lever Handles
1.2 gpm (4.5 L/min)
— Lever Handles


PRODUCT NUMBER

★ D35100800.XXX
D3510080C.XXX

ROUGH-IN DIAGRAM
SHOWN ON NEXT PAGE

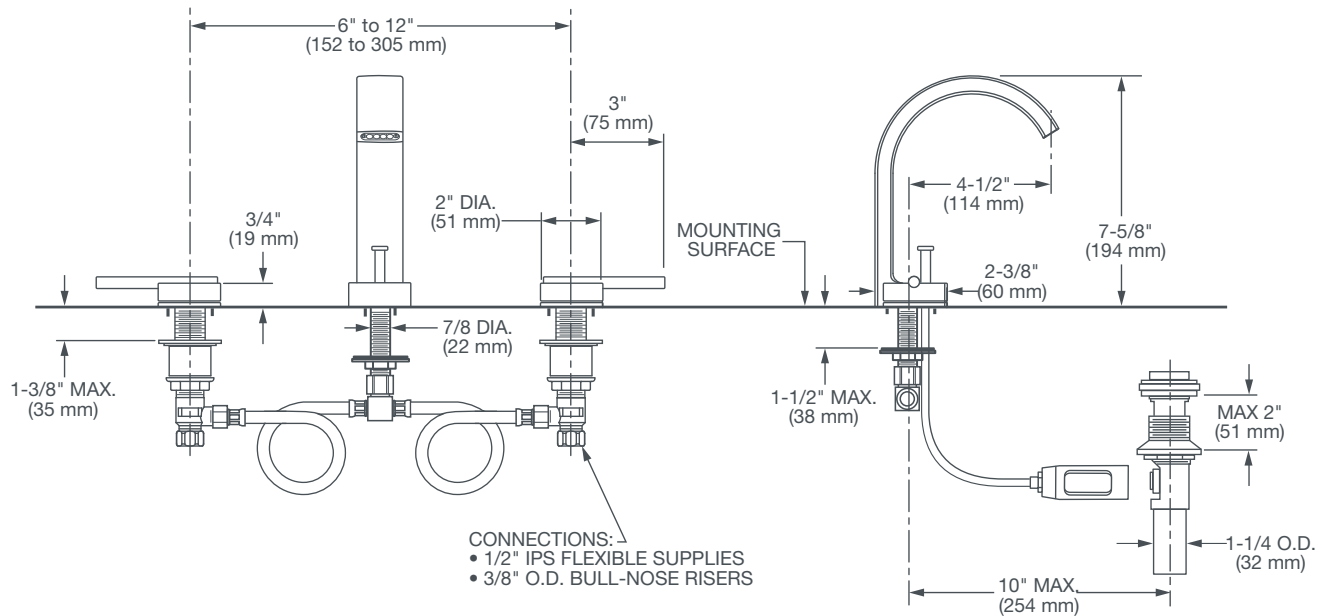
★DISCONTINUED. Available while supplies last.

CALGreen[®] is a registered trademark of California Building Standards Commission.

 Meets the Americans with Disabilities Act Guidelines and ANSI A117.1 Requirements for the physically challenged.



REM[®] WIDESPREAD LAVATORY FAUCET



NOTE: MOUNTING HOLES ARE 1-3/8" DIA. (35 mm)

IMPORTANT: These measurements are subject to change or cancellation.
No responsibility is assumed for use of superseded or voided pages.

PART OF **LIXIL**