



# CONTEMPORARY SINGLE FUNCTION HAND SHOWER

- Contemporary single function hand shower
- Includes flow restrictor
- Maximum hand shower flow rate: 2.0 gpm (7.6 L/min)
- Low hand shower flow rate: 1.8 gpm (6.8 L/min)

### CODES AND STANDARDS

Meets or Exceeds ASME A112.18.1/CSA B125.1,

EPA WaterSense® Certified

CEC and CALGreen® Compliant



### AVAILABLE FINISHES

Polished Chrome  
Brushed Nickel

### FINISH CODE

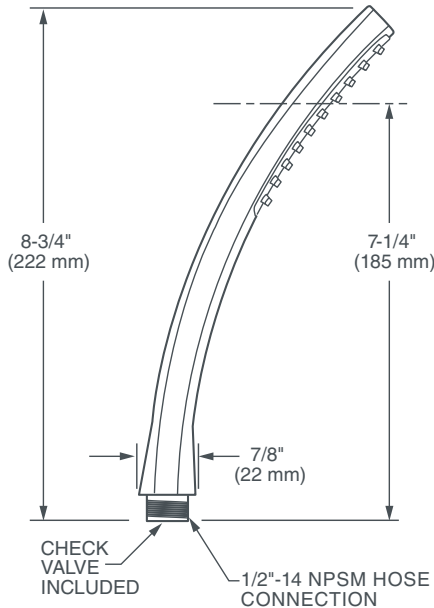
100  
144

### DESCRIPTION

Contemporary Single Function  
Hand Shower  
2.0 gpm (7.6 L/min)  
1.8 gpm (6.8 L/min)

### PRODUCT NUMBER

D35104781.XXX  
D3510478C.XXX



**IMPORTANT:** These measurements are subject to change or cancellation.  
No responsibility is assumed for use of superseded or voided pages.

PART OF **LIXIL**