

ASHBEE®

DECK MOUNT TUB FILLER WITH HAND SHOWER



- Cast brass spout and side valves
- Ceramic disc valve cartridges
- Flexible hose connections for 8"-12" installations
- Hand shower included
- Hand shower features 5 ft (1.5 m) metal hose
- Maximum hand shower flow rate: 2.0 gpm (7.6 L/min)
- Low hand shower flow rate: 1.8 gpm (6.8 L/min)

CODES AND STANDARDS

Meets or Exceeds ASME A112.18.1/CSA B125.1

- CEC and CALGreen® Compliant

AVAILABLE FINISHES

Polished Chrome
Brushed Nickel
Platinum Nickel

FINISH CODE

100
144
150

DESCRIPTION

Deck Mount Tub Filler with Hand Shower

2.0 gpm (7.6 L/min)

- Cross Handles
- Lever Handles (ADA only)

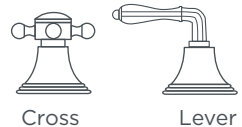
1.8 gpm (6.8 L/min)

- Cross Handles
- Lever Handles (ADA only)

PRODUCT NUMBER

D35101940.XXX
D35101900.XXX

D3510194C.XXX
D3510190C.XXX

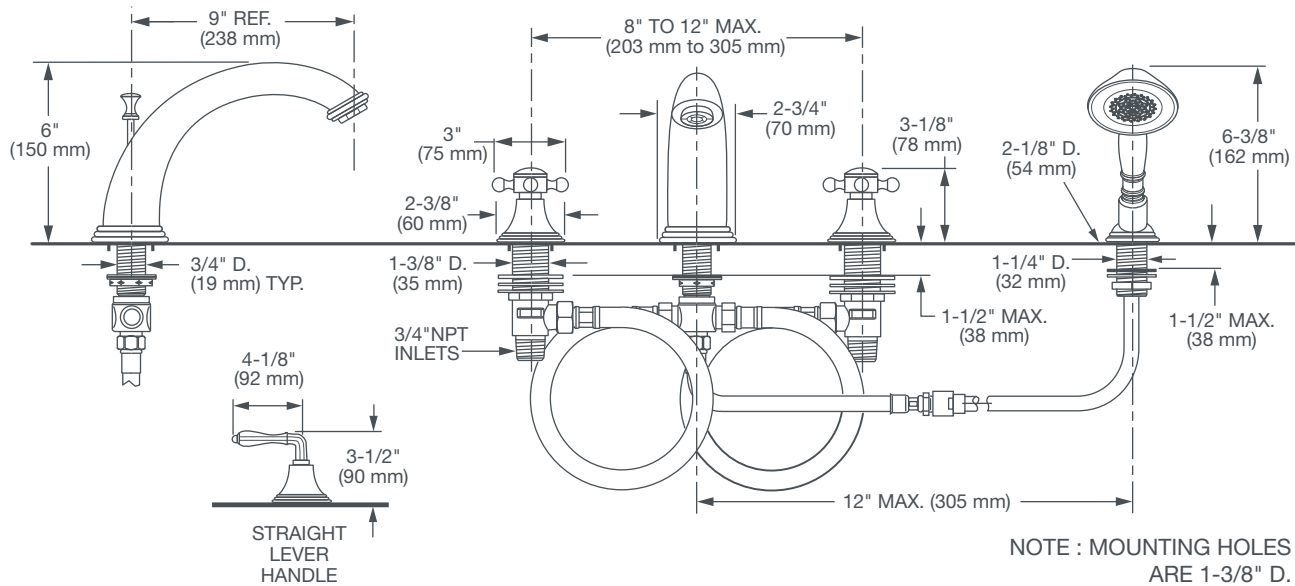


ROUGH-IN DIAGRAM
SHOWN ON NEXT PAGE

PART OF **LIXIL**



ASHBEE® DECK MOUNT TUB FILLER WITH HAND SHOWER



IMPORTANT: These measurements are subject to change or cancellation. No responsibility is assumed for use of superseded or voided pages.

PART OF LIXIL