



ASHBEE™

3/2 OR 4/3 DIVERTER VALVE TRIM



- Alternates water flow between 2 or 3 discrete outlets
- 3/2 Port diverter allows for 1 inlet and 2 outlets
- 4/3 Port diverter allows for 1 inlet and 3 outlets
- 3/2 Port diverter rough valve directs water flow between 2 outlets
- 4/3 Port diverter rough valve directs water flow between 3 outlets
- 1/2" NPT inlets and outlets
- Available in cross handle only

CODES AND STANDARDS

Meets or Exceeds ASME A112.18.1/CSA B125.1

AVAILABLE FINISHES

Polished Chrome
 Brushed Nickel
 Platinum Nickel

FINISH CODE

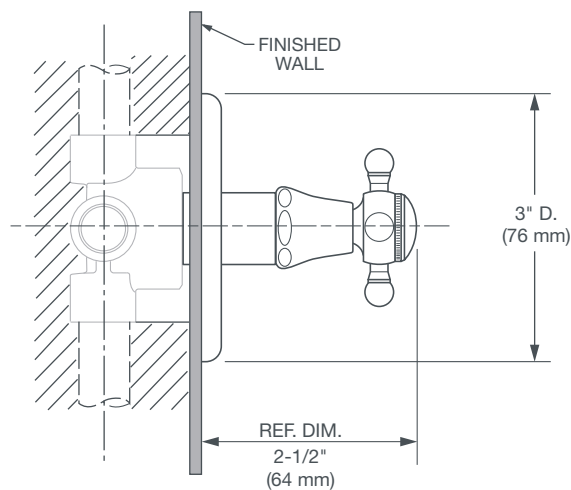
100
 144
 150

DESCRIPTION

3/2 or 4/3 Diverter Valve Trim
 — Cross Handle
 3/2 Port Diverter Rough Valve
 (required component)
 4/3 Port Diverter Rough Valve
 (required component)

PRODUCT NUMBER

D35101430.XXX
 D35000420.191
 D35000430.191



IMPORTANT: These measurements are subject to change or cancellation.
 No responsibility is assumed for use of superseded or voided pages.

PART OF LIXIL