



CEILING MOUNT SHOWER ARM



- 1/2" NPT
- Brass construction
- Compatible with all showerheads

AVAILABLE FINISHES

Polished Chrome
Brushed Nickel
Platinum Nickel

FINISH CODE

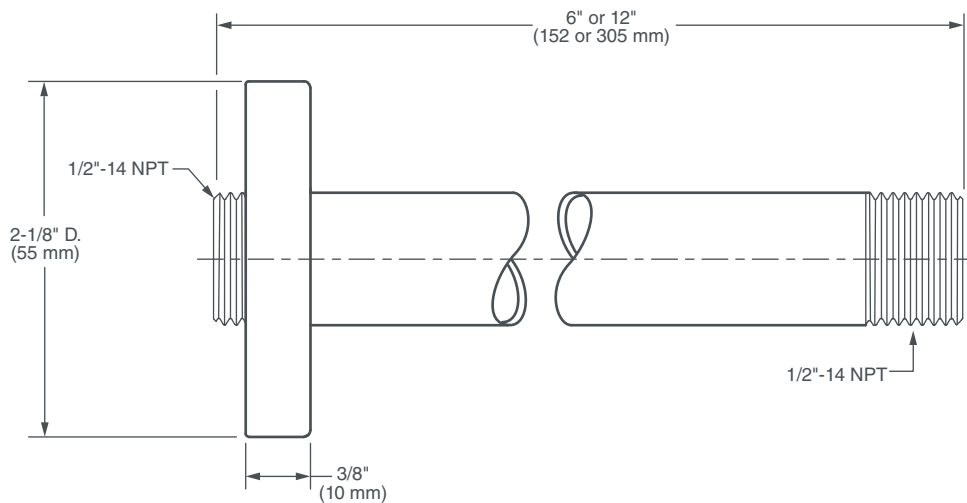
100
144
150

DESCRIPTION

6" Shower Arm
12" Shower Arm

PRODUCT NUMBER

D35702306.XXX
D35702312.XXX



IMPORTANT: These measurements are subject to change or cancellation.
No responsibility is assumed for use of superseded or voided pages.

PART OF **LIXIL**