



FRESNO®

BAR FAUCET



- Ceramic disc valve cartridge
- Lead Free - faucet contains $\leq 0.25\%$ total lead content by weighted volume
- 5-1/4" swivel spout
- Spout swivels at 150°
- Single function pull-down hose
- Two check valves
- Cover plate must be ordered separately
- Maximum flow rate: 1.8 gpm (6.8 L/min)

OPTIONAL COMPONENT

10" Cover Plate M964990-XXXOA

CODES AND STANDARDS

Meets or Exceeds ASME A112.18.1/CSA B125.1, NSF 61/Section 9

Certified Compliant with $\leq 0.25\%$ Weighted Average Lead Content Regulations

CEC and CALGreen® Compliant

DESCRIPTION

Single Control Bar Faucet with Pull-Down Spray

PRODUCT NUMBER

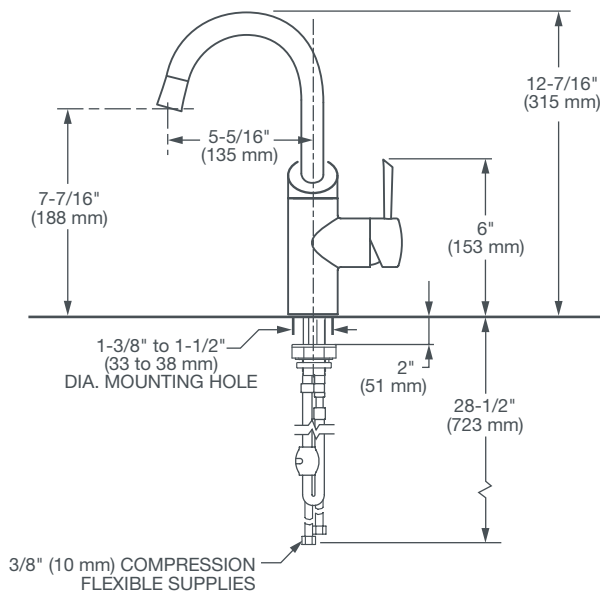
D35403410.XXX

AVAILABLE FINISHES

Polished Chrome
Ultra Steel

FINISH CODE

100
355



IMPORTANT: These measurements are subject to change or cancellation. No responsibility is assumed for use of superseded or voided pages.

PART OF LIXIL

CALGreen® is a registered trademark of California Building Standards Commission.



Meets the Americans with Disabilities Act Guidelines and ANSI A117.1 Requirements for the physically challenged.