



DXV MODULUS[®]

P-TRAP



- Sleek, modern design with fluid and balanced proportions
- Concealed interior partition constructed of corrosion-resistant material
- Brass material offers durable construction
- 1-1/4" Diameter slip fit inlet
- Removable trap eye for easy cleaning

CODES AND STANDARDS

Meets or Exceeds ASME A112.18.1/CSA B125.1
Meets UPC, IPC and NSPC model plumbing codes

AVAILABLE FINISHES

Polished Chrome
Brushed Nickel
Platinum Nickel
Matte Black

FINISH CODE

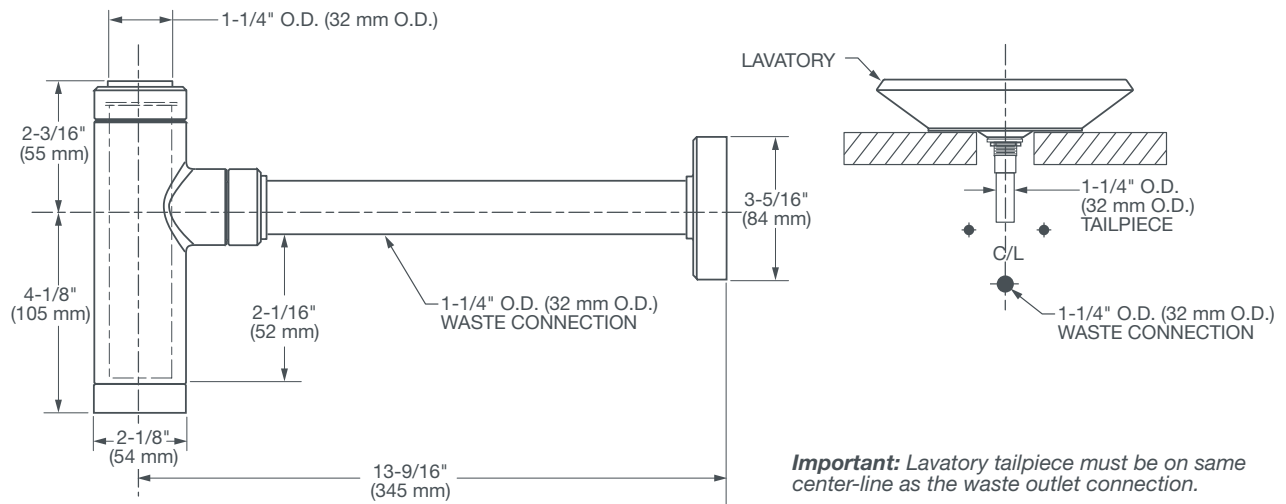
100
144
150
243

DESCRIPTION

P-Trap

PRODUCT NUMBER

D35700030.xxx



IMPORTANT: These measurements are subject to change or cancellation. No responsibility is assumed for use of superseded or voided pages.

PART OF LIXIL