

Bath grip

83 030 710



- gauge 185 mm
- width 300mm
- height 35 mm
- 70 mm projection



Chrome

83 030 710-00



Brushed Platinum

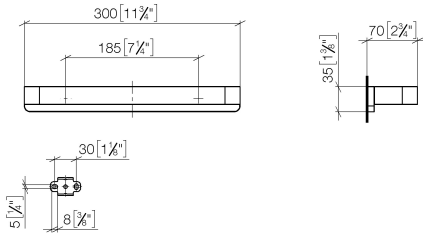
83 030 710-06



Bath grip

83 030 710

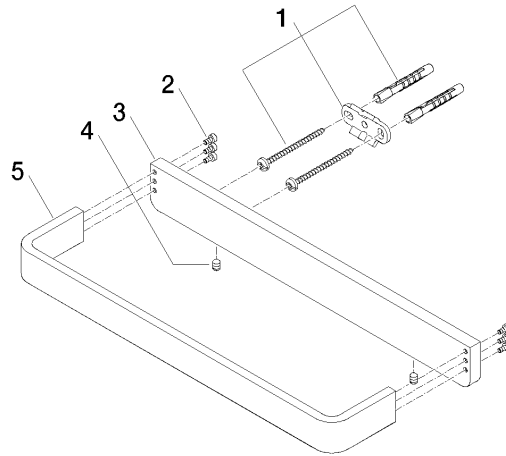
mm [inches]



Bath grip

83 030 710

Parts for other
finishes can be found
here: [Brushed
Platinum](#)



Spare parts list

No.	Item Number	Name	Quantity used	Delivery time
1	05 17 20 717 00 90	fixing set	2	2
2	90 30 30 059 00 90	screw	2	2
3	08 17 71 500-00	holder	1	10
4	04 31 11 112 00 90	pin	2	2
5	08 17 71 550-00	holder	1	60