

## Wall-mounted single-lever basin mixer with cover plate without pop-up waste

36 865 782



- 247 mm projection
- fixed spout
- rectangular, air-enriched flow
- hole diameter spout 37 mm
- hole diameter single-lever mixer 57 mm
- cover plate 80 x 180 mm
- max. flow 4.5 l/min
- lead-free

### Codes & standards

- NSF/ANSI 372
- This product can help a building to meet requirements of Green Building Rating Systems, e.g. LEED®, BREEAM®, DGNB, WELL

	Chrome	36 865 782-00 0010
	Brushed Platinum	36 865 782-06 0010
	Platinum	36 865 782-08 0010
	Dark Chrome	36 865 782-19 0010
	Brushed Durabronze (23kt Gold)	36 865 782-28 0010
	Brushed Champagne (22kt Gold)	36 865 782-46 0010
	Champagne (22kt Gold)	36 865 782-47 0010
	Brushed Dark Platinum	36 865 782-99 0010

### Required miscellaneous

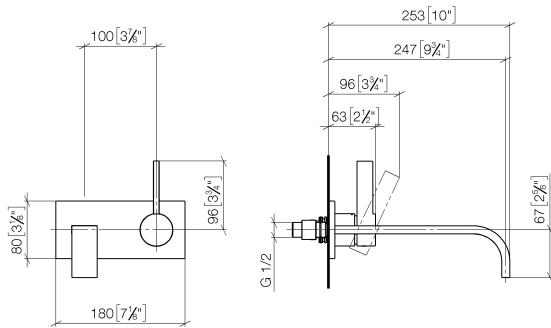


#### Concealed wall-mounted single-lever mixer 35 860 970-90 0010

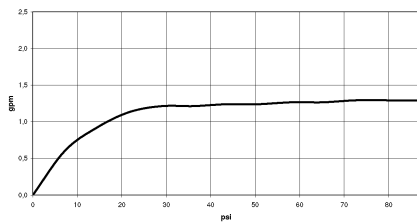
- min. recess depth 80 mm
- Rough can be rotated to position the lever on top or to the left of the spout.
- max. recess depth 95 mm

**Wall-mounted single-lever basin mixer with cover plate without pop-up waste**

36 865 782



**Flow rate chart**



**Codes & Standards**

ADA

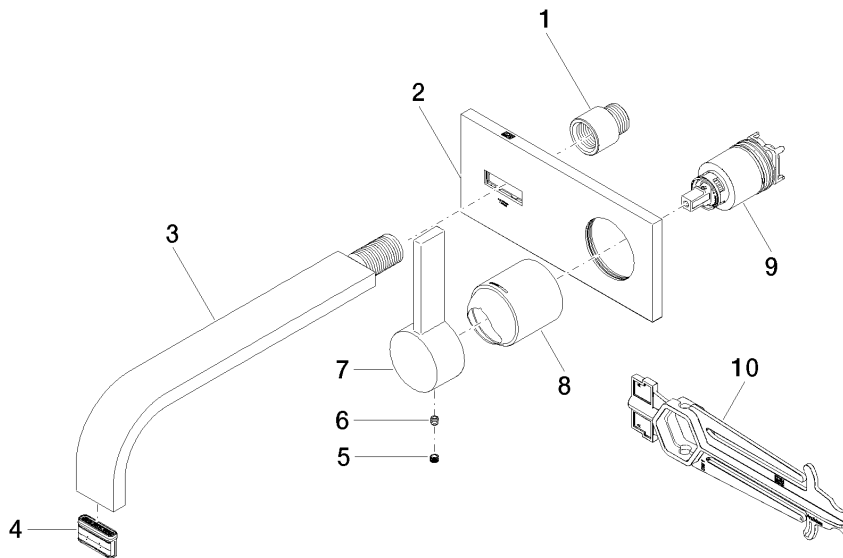
ASME  
A112.18.1/CSA  
B125.1

NSF/ANSI 372

NSF/ANSI/CAN  
61

Wall-mounted single-lever basin mixer with cover plate without pop-up waste

36 865 782



Spare parts list

No.	Item Number	Name	Quantity used	Delivery time
1	09 24 03 072 10 90	nipple	1	2
2	90 11 01 170 00-00	plate	1	10
3	04 28 22 148 10-00	spout	1	10
4	90 29 03 118 00 90	aerator	1	2
5	09 31 20 109 90	plug	1	2
6	09 31 11 030 90	pin	1	2
7	09 20 78 058-00	handle	1	10
8	09 11 02 288-00	cover	1	10
9	90 15 05 064 01 90	cartridge	1	2
10	09 30 09 064 90	key	1	2