

## Wall-mounted single-lever basin mixer without pop-up waste

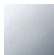


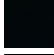

36 861 845



- 210 mm projection
- fixed spout
- circular, air-enriched flow
- hole diameter spout 37 mm
- hole diameter single-lever mixer 57 mm
- rosette 78 x 78 mm
- max. flow 5.7 l/min
- lead-free

### Codes & standards

- NSF/ANSI 372

	Chrome	36 861 845-00
	Brushed Platinum	36 861 845-06
	Dark Chrome	36 861 845-19
	Matte Black	36 861 845-33
	Brushed Chrome	36 861 845-93

## Required miscellaneous



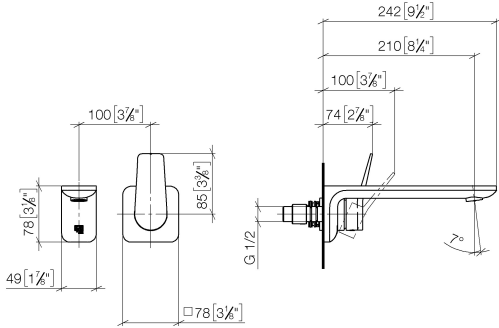
**Concealed wall-mounted single-lever mixer** 35 860 970-90  
0010

- min. recess depth 80 mm
- Rough can be rotated to position the lever on top or to the left of the spout.
- max. recess depth 95 mm

Wall-mounted single-lever basin mixer without pop-up waste

36 861 845

mm [inches]



Flow rate chart



Codes & Standards

ADA

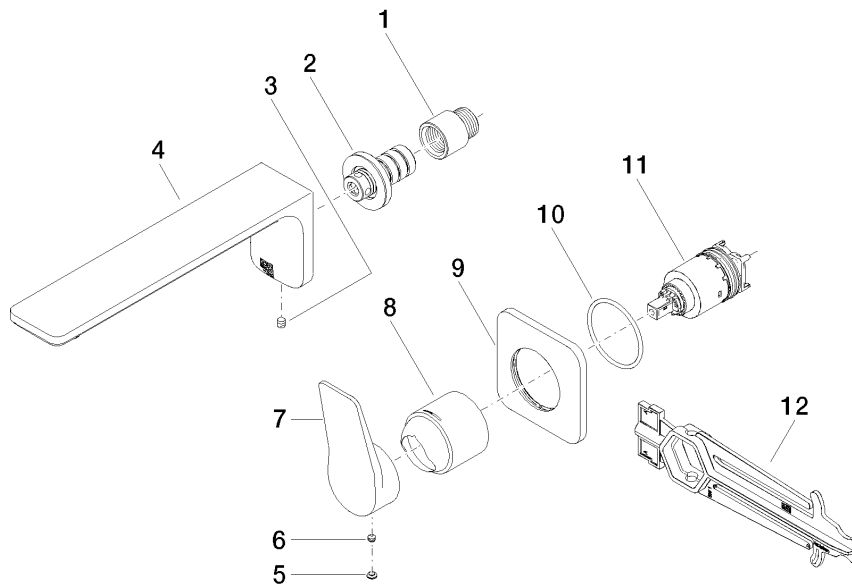
ASME  
A112.18.1/CSA  
B125.1

NSF/ANSI 372

NSF/ANSI/CAN  
61

Wall-mounted single-lever basin mixer without pop-up waste

36 861 845



Spare parts list

No.	Item Number	Name	Quantity used	Delivery time
1	09 24 03 072 10 90	nipple	1	2
2	90 24 03 108 00 90	nipple set	1	2
3	04 31 11 004 00 90	pin	1	2
4	90 11 84 023 00-00	spout	1	10
5	90 31 20 087 00-00	plug	1	10
6	09 31 11 063 90	pin	1	2
7	09 20 84 021-00	handle	1	10
8	09 11 02 288-00	cover	1	10
9	09 27 84 020-00	rosette	1	10
10	09 14 10 049 90	seal	1	2
11	90 15 05 064 01 90	cartridge	1	2
12	09 30 09 064 90	key	1	2