

## Wall-mounted single-lever basin mixer without pop-up waste

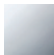

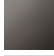
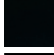
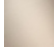


36 861 660



- 250 mm projection
- fixed spout
- circular, air-enriched flow
- hole diameter spout 37 mm
- hole diameter single-lever mixer 57 mm
- rosette for spout Ø 55mm
- rosette for mixer Ø 78mm
- max. flow 4.5 l/min
- lead-free

### Codes & standards

- NSF/ANSI 372

	Chrome	36 861 660-00 0010
	Brushed Platinum	36 861 660-06 0010
	Dark Chrome	36 861 660-19 0010
	Matte Black	36 861 660-33 0010
	Brushed Champagne (22kt Gold)	36 861 660-46 0010
	Champagne (22kt Gold)	36 861 660-47 0010
	Brushed Chrome	36 861 660-93 0010

## Required miscellaneous



### Concealed wall-mounted single-lever mixer 35 860 970-90 0010

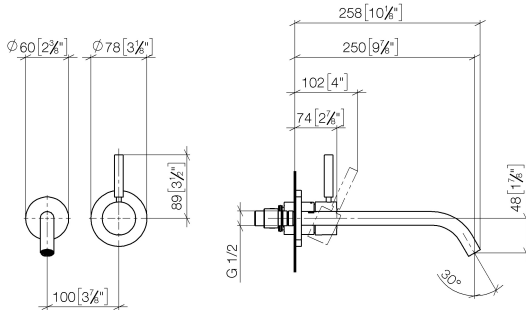
- min. recess depth 80 mm
- Rough can be rotated to position the lever on top or to the left of the spout.
- max. recess depth 95 mm



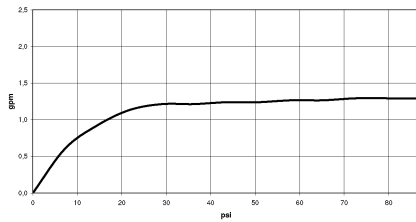
## Wall-mounted single-lever basin mixer without pop-up waste

36 861 660

mm [inches]



## Flow rate chart



## Codes & Standards

ADA

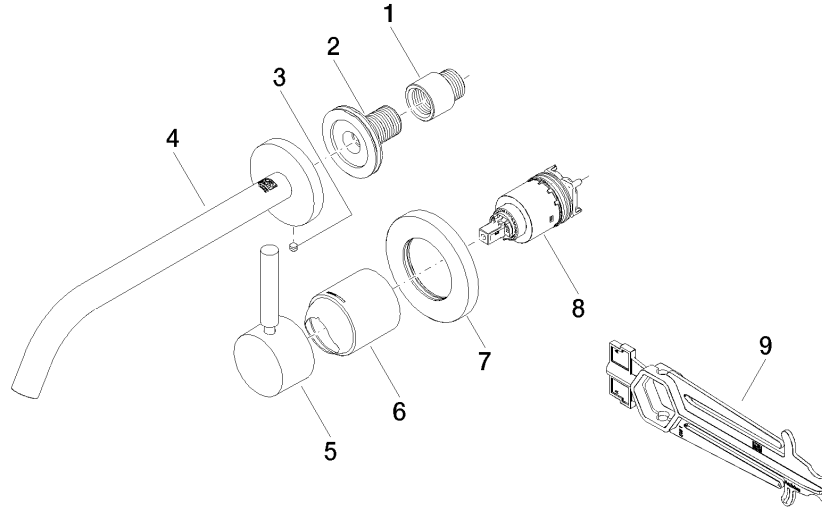
ASME  
A112.18.1/CSA  
B125.1

NSF/ANSI 372

NSF/ANSI/CAN  
61

Wall-mounted single-lever basin mixer without pop-up waste

36 861 660



Spare parts list

No.	Item Number	Name	Quantity used	Delivery time
1	09 24 03 072 10 90	nipple	1	2
2	90 24 03 280 00 90	nipple	1	2
3	09 31 11 112 90	pin	1	60
4	90 28 22 324 01-00	spout	1	10
5	90 20 66 007 00-00	handle	1	10
6	09 11 02 288-00	cover	1	10
7	90 27 62 011 00-00	rosette	1	10
8	90 15 05 064 01 90	cartridge	1	2
9	09 30 09 064 90	key	1	2