

META SLIM Wall-mounted single-lever basin mixer without pop-up waste




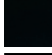
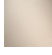


36 860 662



- 190 mm projection
- fixed spout
- circular, air-enriched flow
- hole diameter spout 37 mm
- hole diameter single-lever mixer 57 mm
- rosette for spout Ø 55mm
- rosette for mixer Ø 78mm
- max. flow 4.5 l/min
- lead-free

Codes & standards

- NSF/ANSI 372
- This product can help a building to meet requirements of Green Building Rating Systems, e.g. LEED®, BREEAM®, DGNB, WELL

| | | |
|---|-------------------------------|--------------------|
|  | Chrome | 36 860 662-00 0010 |
|  | Brushed Platinum | 36 860 662-06 0010 |
|  | Dark Chrome | 36 860 662-19 0010 |
|  | Matte Black | 36 860 662-33 0010 |
|  | Brushed Champagne (22kt Gold) | 36 860 662-46 0010 |
|  | Champagne (22kt Gold) | 36 860 662-47 0010 |
|  | Brushed Chrome | 36 860 662-93 0010 |

Required miscellaneous



Concealed wall-mounted single-lever mixer 35 860 970-90 0010

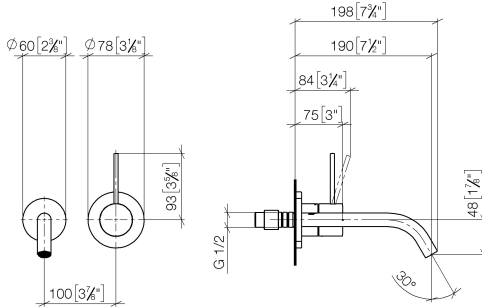
- min. recess depth 80 mm
- Rough can be rotated to position the lever on top or to the left of the spout.
- max. recess depth 95 mm



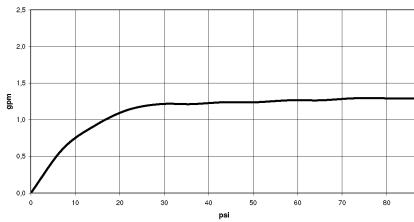
META SLIM Wall-mounted single-lever basin mixer without pop-up waste

36 860 662

mm [inches]



Flow rate chart



Codes & Standards

ADA

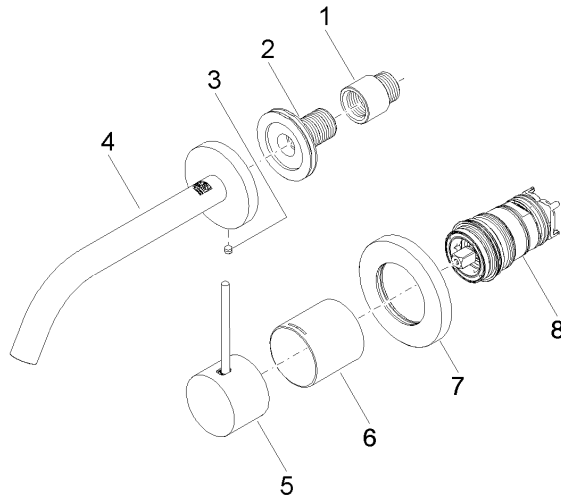
ASME
A112.18.1/CSA
B125.1

NSF/ANSI 372

NSF/ANSI/CAN
61

META SLIM Wall-mounted single-lever basin mixer without pop-up waste

36 860 662



Spare parts list

| No. | Item Number | Name | Quantity used | Delivery time |
|-----|--------------------|-----------|---------------|---------------|
| 1 | 09 24 03 072 10 90 | nipple | 1 | 2 |
| 2 | 90 24 03 280 00 90 | nipple | 1 | 2 |
| 3 | 09 31 11 112 90 | pin | 1 | 60 |
| 4 | 90 28 22 323 01-00 | spout | 1 | 10 |
| 5 | 90 20 66 022 00-00 | handle | 1 | 10 |
| 6 | 09 11 02 336-00 | sleeve | 1 | 10 |
| 7 | 90 27 62 011 00-00 | rosette | 1 | 10 |
| 8 | 90 15 05 044 02 90 | cartridge | 1 | 2 |