

## Wall-mounted basin mixer without pop-up waste

36 712 809



- 190 mm projection
- fixed spout
- circular, air-enriched flow
- hole diameter valve 37 mm
- hole diameter spout 40 mm
- rosettes Ø 60 mm
- max. flow 4.5 l/min
- lead-free

### Codes & standards

- NSF/ANSI 372
- This product can help a building to meet requirements of Green Building Rating Systems, e.g. LEED®, BREEAM®, DGNB, WELL

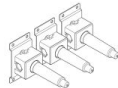
	Chrome	36 712 809-00 0010
	Brushed Platinum	36 712 809-06 0010
	Platinum	36 712 809-08 0010
	Dark Chrome	36 712 809-19 0010
	Brushed Durabronze (23kt Gold)	36 712 809-28 0010
	Brushed Champagne (22kt Gold)	36 712 809-46 0010
	Champagne (22kt Gold)	36 712 809-47 0010
	Brushed Dark Platinum	36 712 809-99 0010

### Required miscellaneous



- Concealed wall-mounted mixer  
Centred spout** 35 700 970-90  
0010
- min. recess depth 60 mm
  - max. recess depth 132 mm

### Required miscellaneous



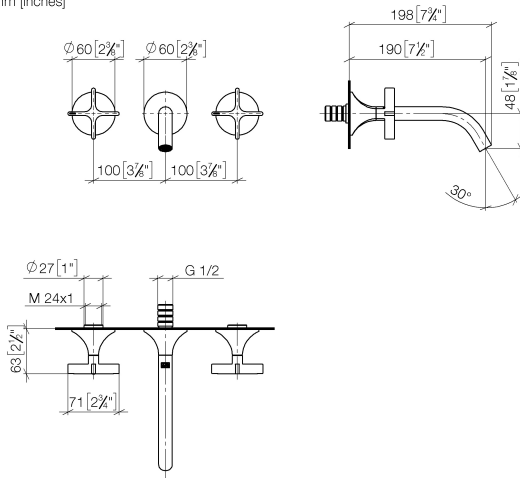
- Concealed wall-mounted mixer  
variable positioning** 35 720 970-90  
0010
- min. recess depth 85 mm
  - max. recess depth 145 mm



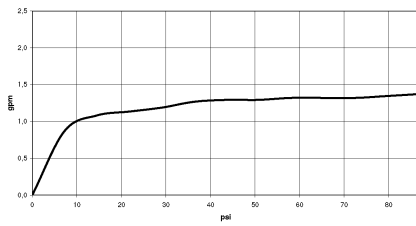
## Wall-mounted basin mixer without pop-up waste

36 712 809

mm [inches]



### Flow rate chart



### Codes & Standards

ADA

ASME  
A112.18.1/CSA  
B125.1

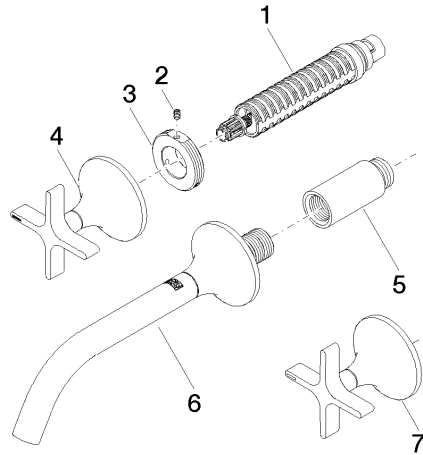
California Energy  
Commission  
(CEC)

NSF/ANSI 372

NSF/ANSI/CAN  
61

## Wall-mounted basin mixer without pop-up waste

36 712 809



### Spare parts list

No.	Item Number	Name	Quantity used	Delivery time
1	90 90 03 157 00 90	top	2	2
2	09 31 11 008 90	pin	2	2
3	09 21 02 163 90	disc	2	2
4	90 20 80 011 00-00	handle ( hot )	1	10
5	09 24 03 081 10 90	extension	1	2
6	13 800 809-00 0010	Wall-mounted basin spout without pop-up waste	1	10
7	90 20 80 010 00-00	handle ( cold )	1	10