

Wall-mounted basin mixer without pop-up waste

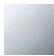

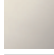



36 712 361



- 190 mm projection
- fixed spout
- circular, air-enriched flow
- hole diameter valve 40 mm
- hole diameter spout 40 mm
- slide-on rosettes Ø 55 mm
- max. flow 4.5 l/min
- lead-free

Codes & standards

- NSF/ANSI 372
- This product can help a building to meet requirements of Green Building Rating Systems, e.g. LEED®, BREEAM®, DGNB, WELL

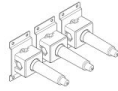
	Chrome	36 712 361-00 0010
	Brushed Platinum	36 712 361-06 0010
	Platinum	36 712 361-08 0010
	Durabronze (23kt Gold)	36 712 361-09 0010
	Brushed Durabronze (23kt Gold)	36 712 361-28 0010
	Brushed Dark Platinum	36 712 361-99 0010

Required miscellaneous



- | | |
|-------------------------------------|---------------|
| Concealed wall-mounted mixer | 35 700 970-90 |
| Centred spout | 0010 |
| • min. recess depth 55 mm | |
| • max. recess depth 115 mm | |

Required miscellaneous



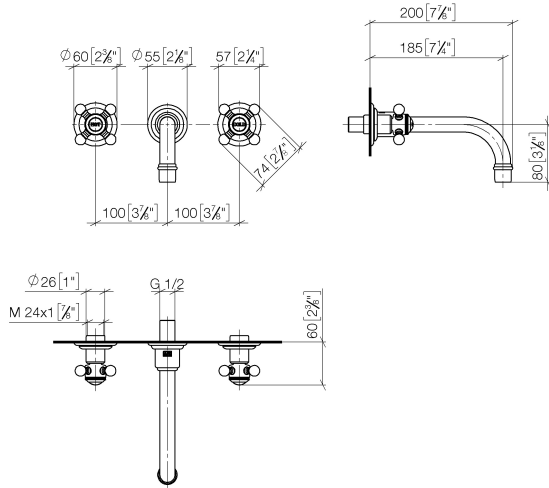
- | | |
|-------------------------------------|---------------|
| Concealed wall-mounted mixer | 35 720 970-90 |
| variable positioning | 0010 |
| • min. recess depth 85 mm | |
| • max. recess depth 145 mm | |



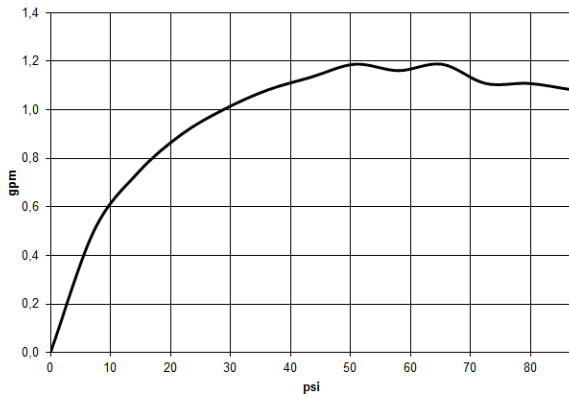
Wall-mounted basin mixer without pop-up waste

36 712 361

mm [inches]



Flow rate chart



Codes & Standards

ADA

ASME
A112.18.1/CSA
B125.1

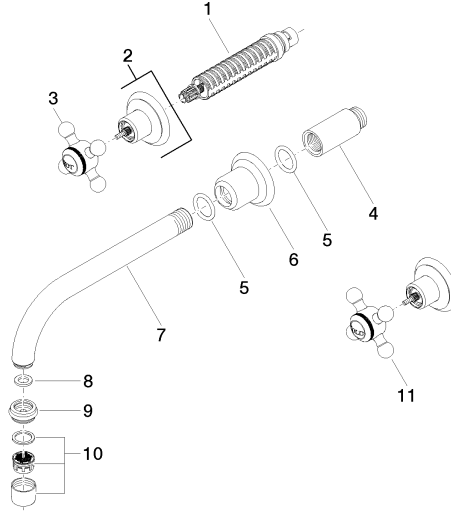
California Energy
Commission
(CEC)

NSF/ANSI 372

NSF/ANSI/CAN
61

Wall-mounted basin mixer without pop-up waste

36 712 361



36 712 361-FF 00 10

Spare parts list

No.	Item Number	Name	Quantity used	Delivery time
1	90 90 03 157 00 90	top	2	2
2	36 310 361-00	connection	2	10
3	04 20 36 100 01-00	handle (hot)	1	10
4	09 24 03 081 10 90	extension	1	2
5	09 14 10 026 90	seal	2	2
6	09 27 36 010-00	rosette	1	10
7	04 28 22 090 10-00	spout	1	10
8	09 14 05 020 90	seal	1	60
9	09 24 03 022 10-00	nipple	1	10
10	90 23 01 119 04-00	aerator	1	10
11	04 20 36 100 00-00	handle (cold)	1	10