

xTOOL Concealed thermostat without volume control

36 416 985



- cover plate 120 x 120 mm
 - temperature control handle with safety limit stop at 38°C
- Note: Important! The minimum recess depths make it necessary to have a wall of 2 x 6 crosspieces.**

Note: Important! The minimum recess depths make it necessary to have a wall of 2 x 6 crosspieces.

	Chrome	36 416 985-00
	Brushed Platinum	36 416 985-06
	Platinum	36 416 985-08
	Dark Chrome	36 416 985-19
	Matte Black	36 416 985-33
	Brushed Champagne (22kt Gold)	36 416 985-46
	Champagne (22kt Gold)	36 416 985-47
	Brushed Dark Platinum	36 416 985-99

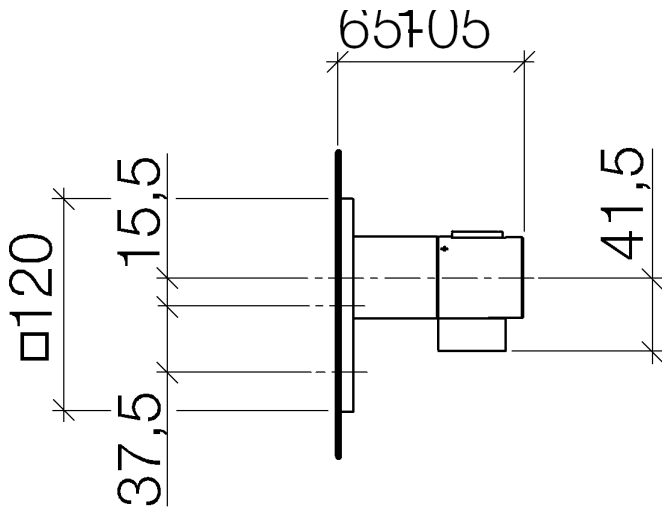
Required miscellaneous



- xTOOL Concealed thermostat module** 35 517 970-90 0010
- min. recess depth 80 mm
 - max. recess depth 156 mm

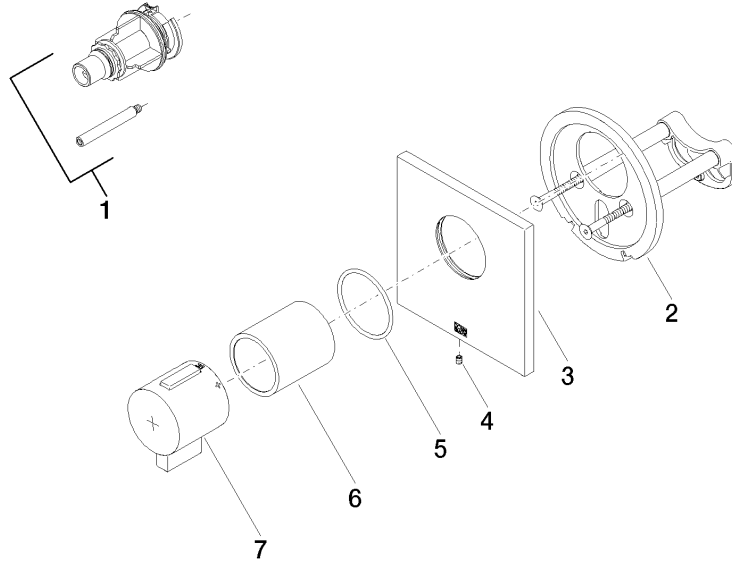
xTOOL Concealed thermostat without volume control

36 416 985



xTOOL Concealed thermostat without volume control

36 416 985



Spare parts list

No.	Item Number	Name	Quantity used	Delivery time
1	12 178 970 90	Extension 46 mm	1	2
2	90 11 01 196 00 90	base	1	2
3	09 11 02 533-00	cover	1	10
4	09 31 11 044 90	pin	1	2
5	09 14 10 049 90	seal	1	2
6	09 21 02 112-00	sleeve	1	10
7	90 17 33 019 00-00	handle	1	10