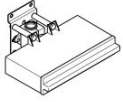


Concealed wall installation box

35 206 970



- female thread 1/2" connection
- dust cover
- anti-water packing

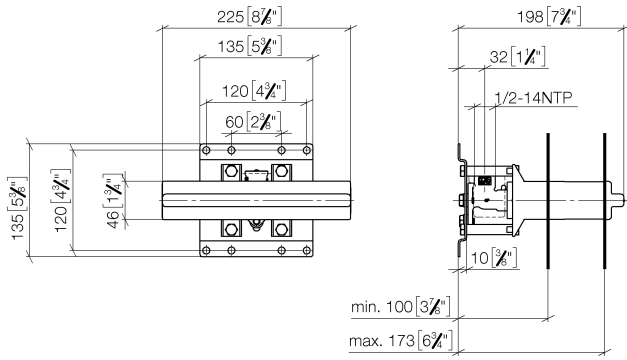
Codes & standards

NOTE: Important for certain series!
Due to minimum rough-in requirements, a framing
of 2x6 studs is needed.

Concealed wall installation box

35 206 970

mm [inches]

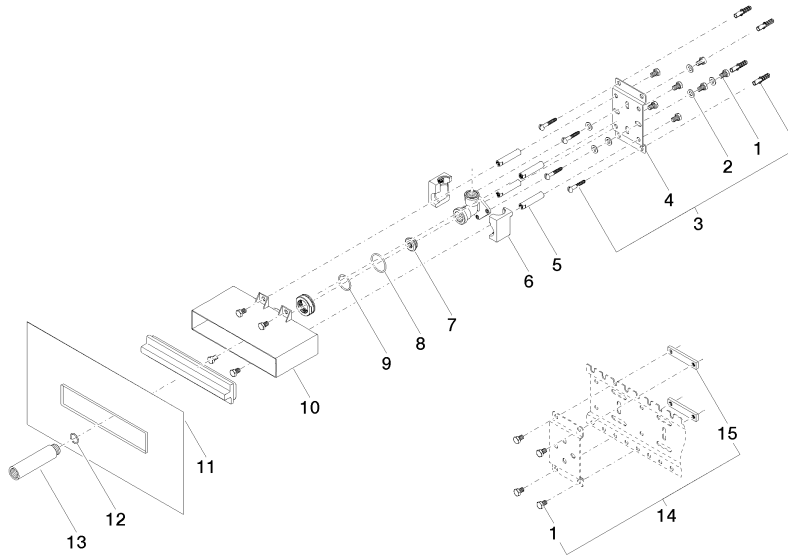


Codes & Standards

ASME
A112.18.1/CSA
B125.1

Concealed wall installation box

35 206 970



Spare parts list

No.	Item Number	Name	Quantity used	Delivery time
1	09 30 30 152 90	screw	15	2
2	09 30 11 139 90	disc	6	2
3	04 30 31 024 01 90	fixing set	2	2
4	09 17 20 094 90	holder	1	2
5	09 18 40 138 90	sleeve	1	60
6	09 11 11 036 90	accessories	1	2
7	04 31 20 006 00 90	plug	1	2
8	09 14 10 149 90	seal	1	2
9	09 14 10 118 90	seal	1	2
10	09 11 11 053 90	accessories	1	60
11	04 14 03 126 00 90	gasket kit	1	2
12	09 14 10 010 90	seal	1	2
13	09 24 03 169 10 90	adaptor	1	2
14	04 17 20 100 00 90	fixing set	1	2
15	09 17 20 100 90	holder	2	2