

## Single-lever mixer for rinsing/Profi spray

33 826 875



- 241 mm projection
- pivotable spout 360°
- air-enriched flow
- height of mixer 393 mm
- height up to aerator 240 mm
- single-lever mixer hole diameter 35mm
- 2x US pressure hose, 3/8"
- max. flow 5.7 l/min at 3 bar flow pressure
- lead-free


### Codes & standards

- NSF/ANSI 372
  - This product can help a building to meet requirements of Green Building Rating Systems, e.g. LEED®, BREEAM®, DGNB, WELL
- Single-lever mixer for combining with rinsing/Profi spray only**


Single-lever mixer for combining with rinsing/Profi spray only

	Chrome	33 826 875-00 0010
	Brushed Platinum	33 826 875-06 0010
	Platinum	33 826 875-08 0010
	Durabronze (23kt Gold)	33 826 875-09 0010
	Dark Chrome	33 826 875-19 0010
	Brushed Durabronze (23kt Gold)	33 826 875-28 0010
	Matte Black	33 826 875-33 0010
	Brushed Champagne (22kt Gold)	33 826 875-46 0010
	Champagne (22kt Gold)	33 826 875-47 0010
	Brushed Chrome	33 826 875-93 0010
	Brushed Dark Platinum	33 826 875-99 0010


### Required miscellaneous

	<b>Profi spray set</b>	27 789 970-00 0010
-------------------------------------------------------------------------------------	------------------------	--------------------


### Required miscellaneous

	<b>Rinsing spray set</b>	27 721 970-00
-------------------------------------------------------------------------------------	--------------------------	---------------

### Required miscellaneous

	<b>Profi spray set</b>	27 799 970-00
-------------------------------------------------------------------------------------	------------------------	---------------

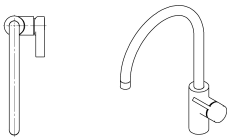
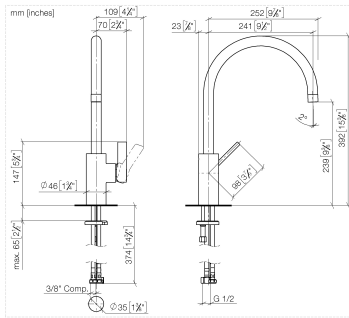
### Required miscellaneous

	<b>Rinsing spray set</b>	27 731 970-00
-------------------------------------------------------------------------------------	--------------------------	---------------



## Single-lever mixer for rinsing/Profi spray

33 826 875



### Flow rate chart



### Codes & Standards

ADA

ASME  
A112.18.1/CSA  
B125.1

California Energy  
Commission  
(CEC)

NSF/ANSI 372

NSF/ANSI/CAN  
61

# Single-lever mixer for rinsing/Profi spray

33 826 875

