

## Single-lever mixer

33 800 790



- 234 mm projection
- pivotable spout 360°
- spout, end-piece with 20° rotation
- air-enriched flow
- height of mixer 337 mm
- height up to aerator 297 mm
- hole diameter 35 mm
- 2 x pressure hose with 3/8" cap nut
- max. flow 5.7 l/min at 3 bar flow pressure
- lead-free

### Codes & standards

- NSF/ANSI 372

Not possible in combination with rinsing spray.

	Chrome	33 800 790-00 0010
	Brushed Platinum	33 800 790-06 0010
	Platinum	33 800 790-08 0010
	Dark Chrome	33 800 790-19 0010
	Brushed Durabronze (23kt Gold)	33 800 790-28 0010
	Champagne (22kt Gold)	33 800 790-47 0010
	Brushed Chrome	33 800 790-93 0010
	Brushed Dark Platinum	33 800 790-99 0010

### Recommended miscellaneous

**AIR SWITCH Control button**

10 713 970-00



### Recommended miscellaneous

**Dispenser without rosette**

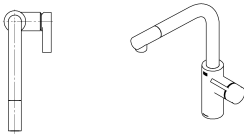
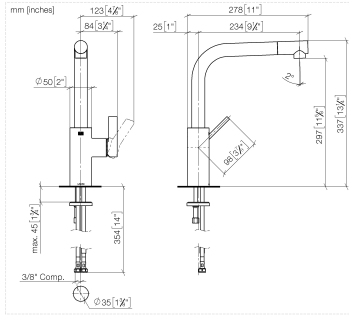
82 424 970-00



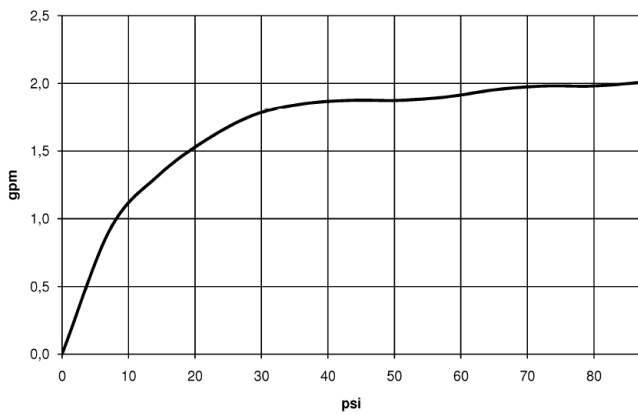


## Single-lever mixer

33 800 790



### Flow rate chart



### Codes & Standards

ADA

ASME  
A112.18.1/CSA  
B125.1

California Energy  
Commission  
(CEC)

NSF/ANSI 372

NSF/ANSI/CAN  
61

# Single-lever mixer

33 800 790

