

**Single-lever basin mixer with raised base without pop-up waste**

33 537 660

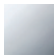

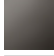
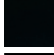
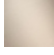




- 136 mm projection
- fixed spout
- circular, air-enriched flow
- height of mixer 300 mm
- height up to aerator 219 mm
- hole diameter 35 mm
- 2 x pressure hose with 3/8" cap nut
- max. flow 4.5 l/min
- lead-free

**Codes & standards**

- NSF/ANSI 372
- This product can help a building to meet requirements of Green Building Rating Systems, e.g. LEED®, BREEAM®, DGNB, WELL

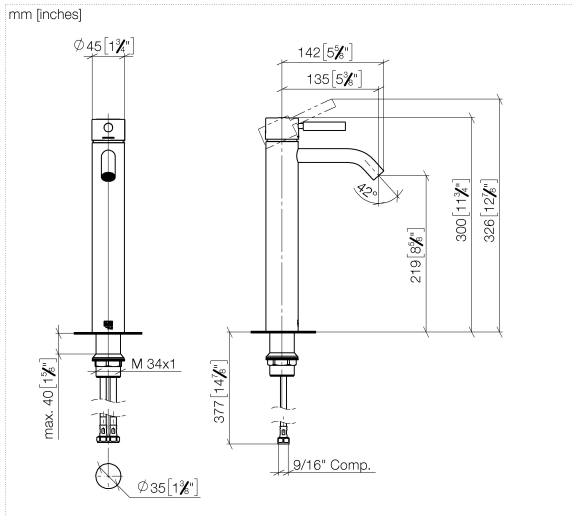
for use on counter-top bowls

	Chrome	33 537 660-00 0010
	Brushed Platinum	33 537 660-06 0010
	Dark Chrome	33 537 660-19 0010
	Matte Black	33 537 660-33 0010
	Brushed Champagne (22kt Gold)	33 537 660-46 0010
	Champagne (22kt Gold)	33 537 660-47 0010
	Brushed Chrome	33 537 660-93 0010

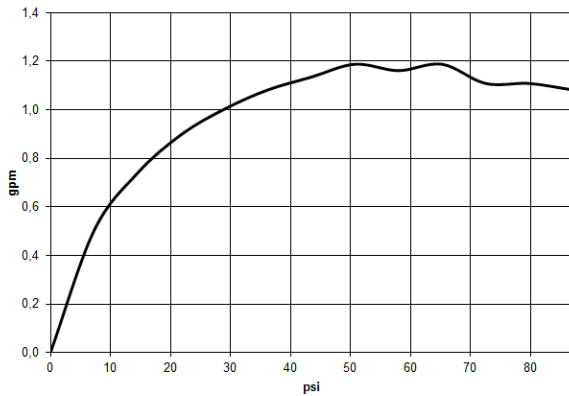


## Single-lever basin mixer with raised base without pop-up waste

33 537 660



### Flow rate chart



### Codes & Standards

ADA

ASME  
A112.18.1/CSA  
B125.1

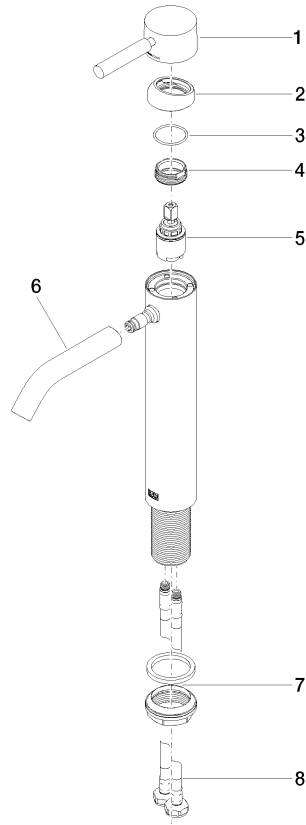
California Energy  
Commission  
(CEC)

NSF/ANSI 372

NSF/ANSI/CAN  
61

Single-lever basin mixer with raised base without pop-up waste

33 537 660



Spare parts list

No.	Item Number	Name	Quantity used	Delivery time
1	90 20 66 002 00-00	handle	1	10
2	09 28 30 041-00	cover	1	10
3	09 14 10 091 90	seal	1	2
4	09 24 04 266 90	nut	1	2
5	90 15 05 044 00 90	cartridge	1	2
6	90 11 06 207 01-00	spout	1	10
7	04 23 10 044 07 90	fixing set	1	2
8	04 30 04 103 00 90	hose	2	2