

Single-lever basin mixer without pop-up waste

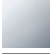


33 527 670



- 105 mm projection
- fixed spout
- rectangular, air-enriched flow
- height of mixer 149 mm
- height up to aerator 80 mm
- hole diameter 35 mm
- progressive cartridge
- 2 x pressure hose with 3/8" cap nut
- max. flow 4.5 l/min
- lead-free

Codes & standards

- NSF/ANSI 372
- This product can help a building to meet requirements of Green Building Rating Systems, e.g. LEED®, BREEAM®, DGNB, WELL

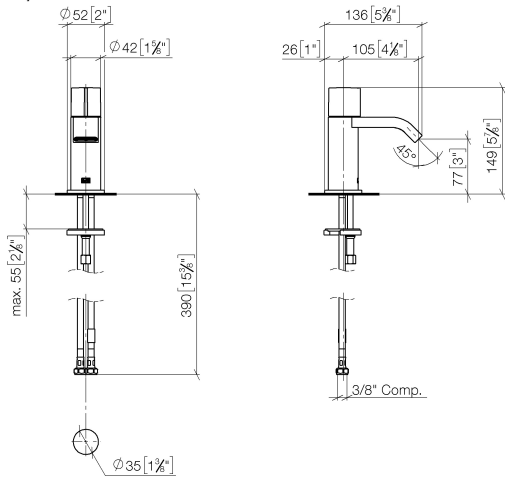
| | | |
|---|------------------|--------------------|
|  | Chrome | 33 527 670-00 0010 |
|  | Brushed Platinum | 33 527 670-06 0010 |
|  | Brushed Chrome | 33 527 670-93 0010 |



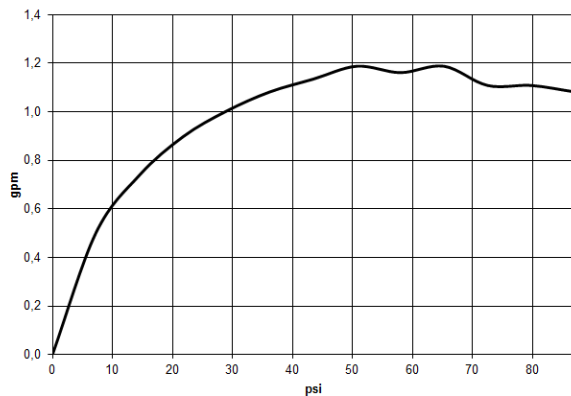
Single-lever basin mixer without pop-up waste

33 527 670

mm [inches]



Flow rate chart



Codes & Standards

ASME
A112.18.1/CSA
B125.1

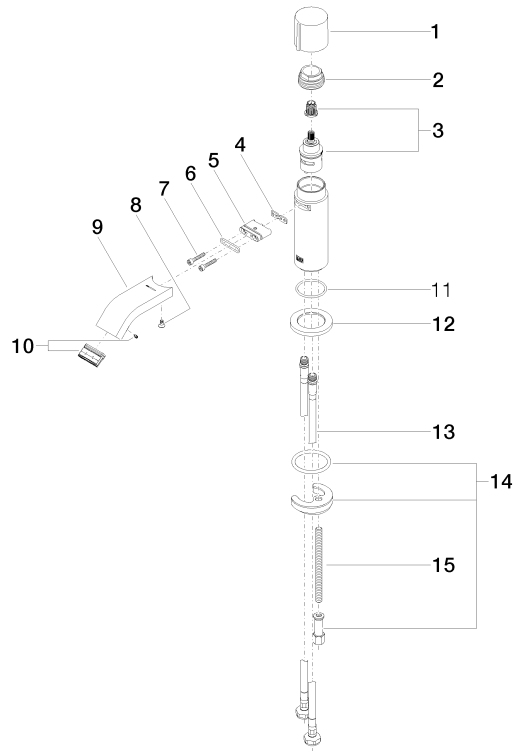
California Energy
Commission
(CEC)

NSF/ANSI 372

NSF/ANSI/CAN
61

Single-lever basin mixer without pop-up waste

33 527 670



Spare parts list

| No. | Item Number | Name | Quantity used | Delivery time |
|-----|--------------------|------------|---------------|---------------|
| 1 | 09 20 67 001-00 | handle | 1 | 10 |
| 2 | 09 23 10 065-00 | nut | 1 | 10 |
| 3 | 90 90 03 162 00 90 | top | 1 | 2 |
| 4 | 09 14 03 131 90 | seal | 1 | 2 |
| 5 | 09 11 03 061 90 | connection | 1 | 2 |
| 6 | 09 14 10 053 90 | seal | 1 | 2 |
| 7 | 09 30 30 182 90 | screw | 2 | 2 |
| 8 | 09 30 30 116 90 | screw | 1 | 2 |
| 9 | 09 28 22 238-00 | spout | 1 | 10 |
| 10 | 90 29 03 118 00 90 | aerator | 1 | 2 |
| 11 | 09 14 10 104 90 | seal | 1 | 2 |
| 12 | 09 27 67 003-00 | rosette | 1 | 10 |
| 13 | 04 30 04 106 00 90 | hose | 2 | 2 |
| 14 | 04 30 11 085 01 90 | fixing set | 1 | 2 |
| 15 | 09 31 11 012 90 | pin | 1 | 2 |