

Single-lever basin mixer with raised base without pop-up waste

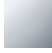




33 526 845



- 130 mm projection
- fixed spout
- circular, air-enriched flow
- height of mixer 236 mm
- height up to aerator 185 mm
- hole diameter 35 mm
- 2 x pressure hose with 3/8" cap nut
- max. flow 4.5 l/min
- lead-free

Codes & standards

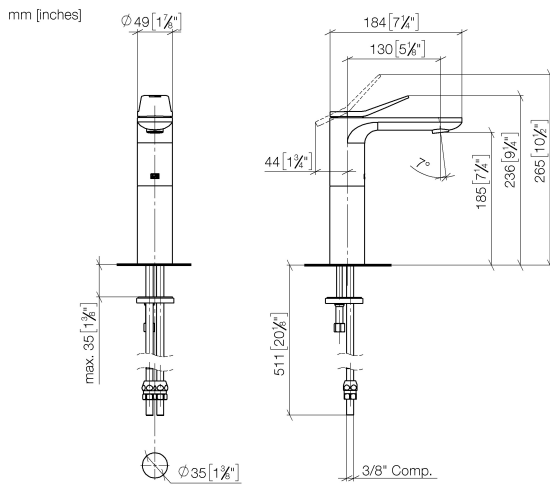
- NSF/ANSI 372

	Chrome	33 526 845-00 0010
	Brushed Platinum	33 526 845-06 0010
	Dark Chrome	33 526 845-19 0010
	Matte Black	33 526 845-33 0010
	Brushed Chrome	33 526 845-93 0010

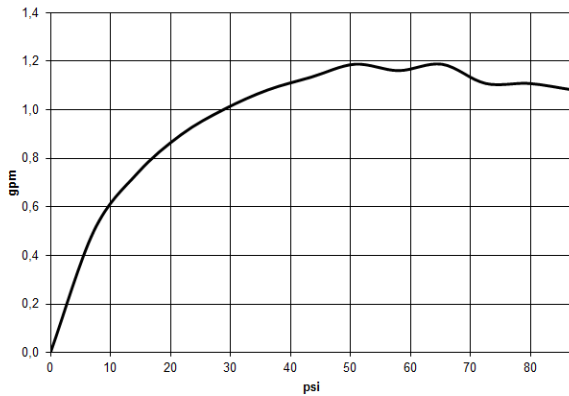


Single-lever basin mixer with raised base without pop-up waste

33 526 845



Flow rate chart



Codes & Standards

ADA

ASME
A112.18.1/CSA
B125.1

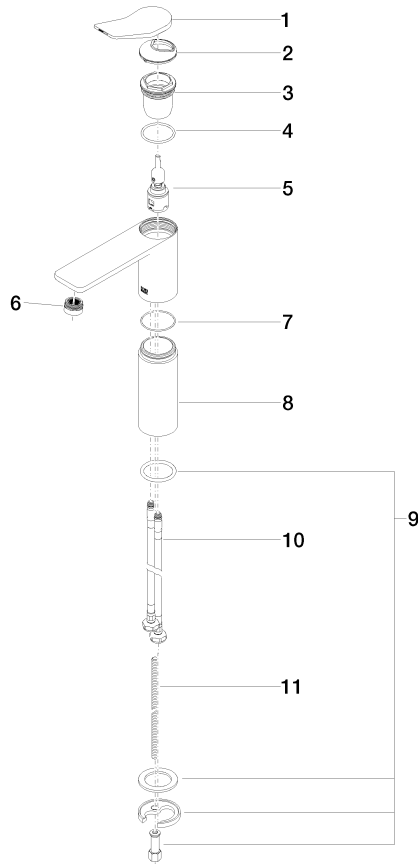
California Energy
Commission
(CEC)

NSF/ANSI 372

NSF/ANSI/CAN
61

Single-lever basin mixer with raised base without pop-up waste

33 526 845



Spare parts list

No.	Item Number	Name	Quantity used	Delivery time
1	90 20 84 020 00-00	handle	1	10
2	09 28 30 034 90	cover	1	2
3	09 23 10 123 90	nut	1	2
4	09 14 10 038 90	seal	1	2
5	90 15 05 042 01 90	cartridge	1	2
6	90 23 01 161 03-00	aerator	1	10
7	09 14 10 108 90	seal	1	2
8	09 28 22 308-00	sleeve	1	10
9	04 30 11 038 75 90	fixing set	1	2
10	04 30 04 103 00 90	hose	2	2
11	09 31 11 000 90	pin	1	2