

## Single-lever basin mixer without pop-up waste

33 522 782



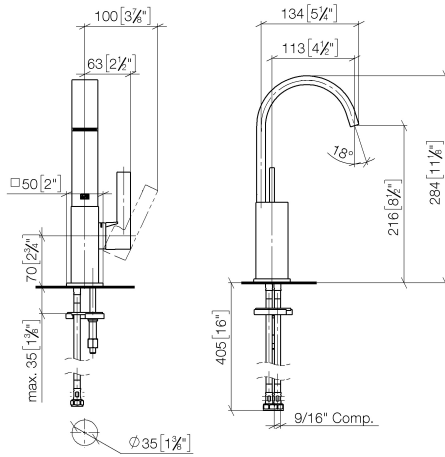
- 113 mm projection
- US pop-up waste (only used in the USA)
- fixed spout
- rectangular, air-enriched flow
- height of mixer 284 mm
- height up to aerator 216 mm
- hole diameter 35 mm
- 2x screw-in M 10 x 1 pressure hose, leak-tested
- 2x US pressure hose, 3/8"
- max. flow 4.5 l/min
- lead-free
- This product can help a building to meet requirements of Green Building Rating Systems, e.g. LEED®, BREEAM®, DGNB, WELL

	Chrome	33 522 782-00 0010
	Brushed Platinum	33 522 782-06 0010
	Platinum	33 522 782-08 0010
	Dark Chrome	33 522 782-19 0010
	Brushed Durabronze (23kt Gold)	33 522 782-28 0010
	Brushed Champagne (22kt Gold)	33 522 782-46 0010
	Champagne (22kt Gold)	33 522 782-47 0010
	Brushed Dark Platinum	33 522 782-99 0010

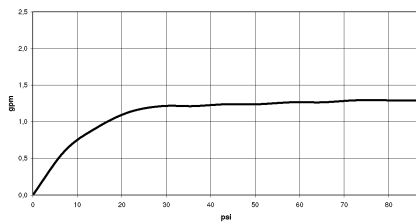
## Single-lever basin mixer without pop-up waste

33 522 782

mm [inches]



### Flow rate chart



### Spare parts list

No.	Item Number	Name	Quantity used	Delivery time
1	90 28 22 366 10-00	spout	1	10
2	90 15 05 042 00 90	cartridge	1	2
3	09 24 04 288 90	nut	1	2
4	09 14 10 137 90	seal	1	2
5	09 14 10 063 90	seal	1	2
6	90 28 30 051 00-00	cover	1	10
7	90 20 86 004 00-00	handle	1	10
8	90 27 66 021 00-00	rosette	1	10
9	04 30 04 102 00 90	High pressure hose 3/8"	2	2
10	09 31 11 012 90	pin	1	2
11	04 30 11 038 00 90	fixing set	1	2