

## Single-lever basin mixer without pop-up waste

---

33 521 710



- 155 mm projection
- fixed spout
- circular, air-enriched flow
- height of mixer 113 mm
- height up to aerator 90 mm
- hole diameter 35 mm
- 2 x pressure hose with 3/8" cap nut
- max. flow 4.5 l/min
- lead-free

### Codes & standards

- NSF/ANSI 372



Chrome

33 521 710-00 0010



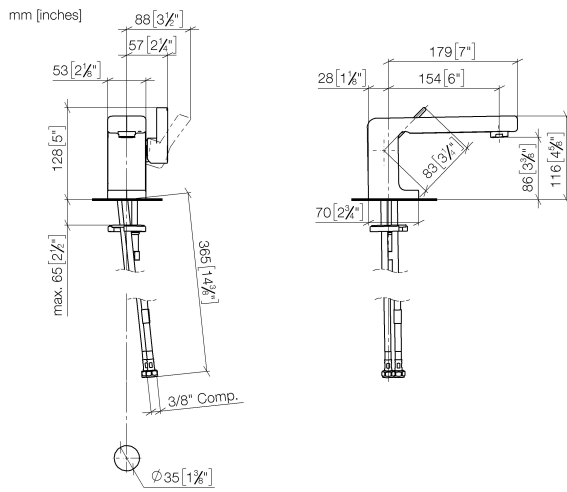
Brushed Platinum

33 521 710-06 0010

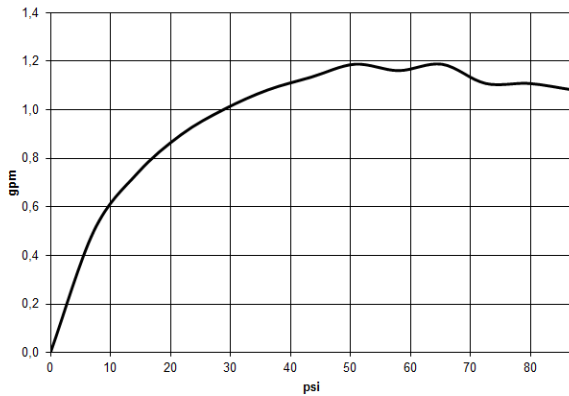


# Single-lever basin mixer without pop-up waste

33 521 710



## Flow rate chart



## Codes & Standards

ADA

ASME  
A112.18.1/CSA  
B125.1

California Energy  
Commission  
(CEC)

NSF/ANSI 372

NSF/ANSI/CAN  
61

# Single-lever basin mixer without pop-up waste

33 521 710

