

Single-lever basin mixer with pop-up waste

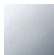



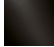
33 505 811



- 177 mm projection
- 1 1/4" pop-up waste
- fixed spout
- rectangular, air-enriched flow
- height of mixer 198 mm
- height up to aerator 133 mm
- hole diameter 35 mm
- max. flow 4.5 l/min
- 2 x pressure hose with 3/8" cap nut
- lead-free

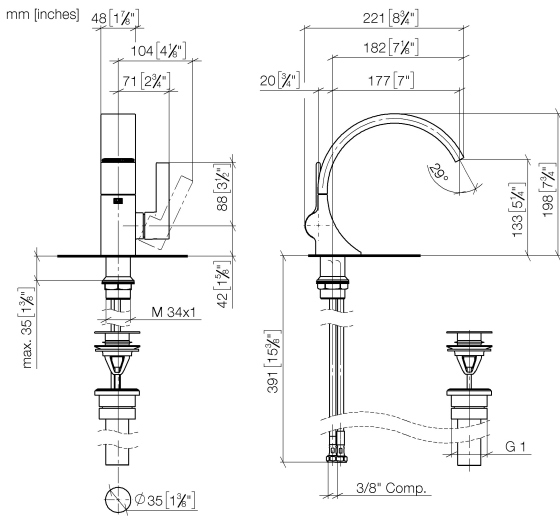
Only suitable for basins with an overflow.

Distance from centre of tap hole to wall min. 55 mm
or to front edge of basin min. 40 mm.

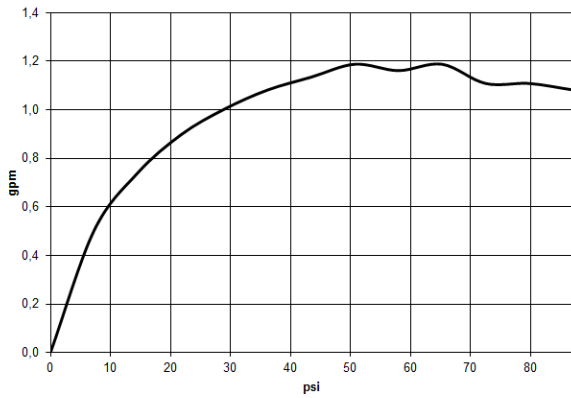
| | | |
|---|-----------------------------------|--------------------|
|  | Chrome | 33 505 811-00 0010 |
|  | Brushed Platinum | 33 505 811-06 0010 |
|  | Dark Chrome | 33 505 811-19 0010 |
|  | Brushed Durabronze (23kt Gold) | 33 505 811-28 0010 |
|  | Brushed Dark Platinum | 33 505 811-99 0010 |

Single-lever basin mixer with pop-up waste

33 505 811

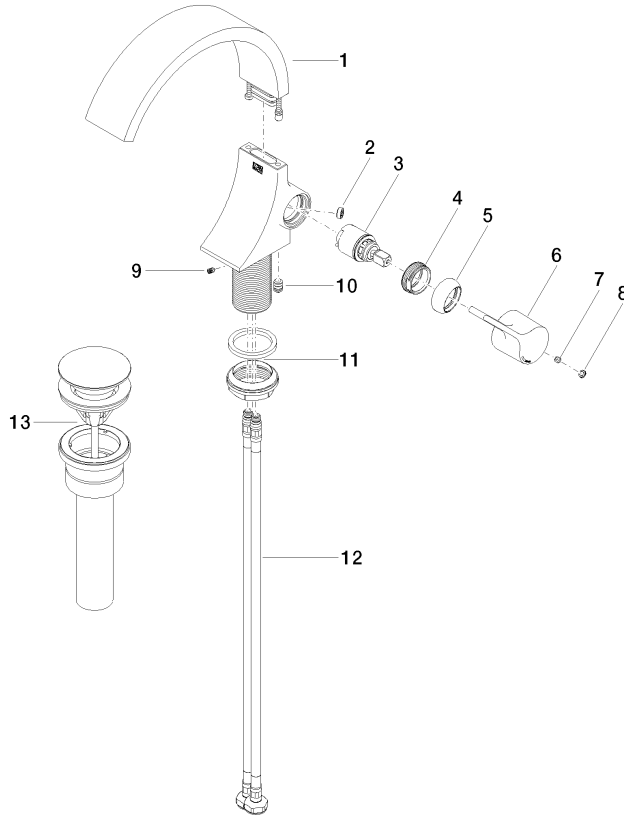


Flow rate chart



Single-lever basin mixer with pop-up waste

33 505 811



Spare parts list

| No. | Item Number | Name | Quantity used | Delivery time |
|-----|--------------------|-------------------------|---------------|---------------|
| 1 | 90 11 70 013 01-00 | spout | 1 | 10 |
| 2 | 09 23 01 172 90 | flow reducer | 1 | 2 |
| 3 | 90 15 05 044 00 90 | cartridge | 1 | 2 |
| 4 | 09 24 04 266 90 | nut | 1 | 2 |
| 5 | 09 28 30 021-00 | cover | 1 | 10 |
| 6 | 09 20 80 024-00 | handle | 1 | 60 |
| 7 | 09 31 11 030 90 | pin | 1 | 2 |
| 8 | 90 31 20 087 00-00 | plug | 1 | 10 |
| 9 | 09 31 11 008 90 | pin | 1 | 2 |
| 10 | 90 31 20 129 00 90 | plug | 1 | 2 |
| 11 | 04 23 10 044 07 90 | fixing set | 1 | 2 |
| 12 | 04 30 04 102 00 90 | High pressure hose 3/8" | 2 | 2 |
| 13 | 10 125 970-00 0010 | Basin Waste 1 1/4" | 1 | 2 |