

## Single-lever basin mixer with pop-up waste

33 501 782



- 200 mm projection
- US pop-up waste (only used in the USA)
- fixed spout
- rectangular, air-enriched flow
- height of mixer 340 mm
- height up to aerator 216 mm
- hole diameter 35 mm
- 2 x pressure hose with 3/8" cap nut
- max. flow 4.5 l/min
- lead-free

### Codes & standards

- NSF/ANSI 372

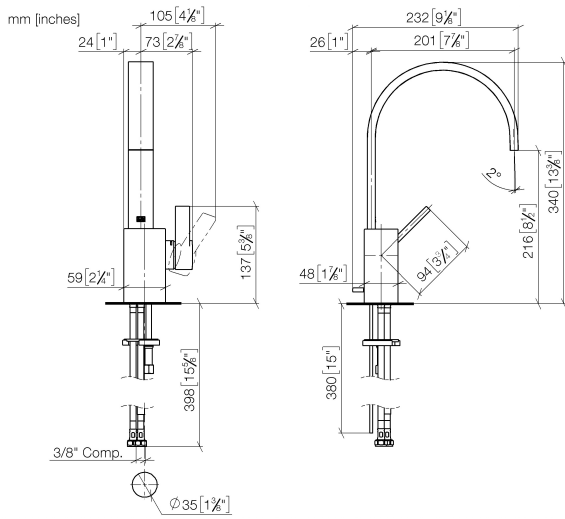
Only suitable for basins with an overflow.

	Chrome	33 501 782-00 0010
	Brushed Platinum	33 501 782-06 0010
	Platinum	33 501 782-08 0010
	Dark Chrome	33 501 782-19 0010
	Brushed Durabronze (23kt Gold)	33 501 782-28 0010
	Brushed Champagne (22kt Gold)	33 501 782-46 0010
	Champagne (22kt Gold)	33 501 782-47 0010
	Brushed Dark Platinum	33 501 782-99 0010

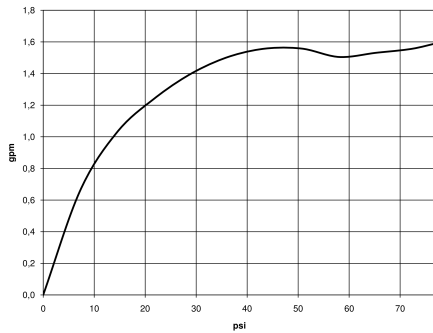


## Single-lever basin mixer with pop-up waste

33 501 782



### Flow rate chart



### Codes & Standards

ADA

ASME  
A112.18.1/CSA  
B125.1

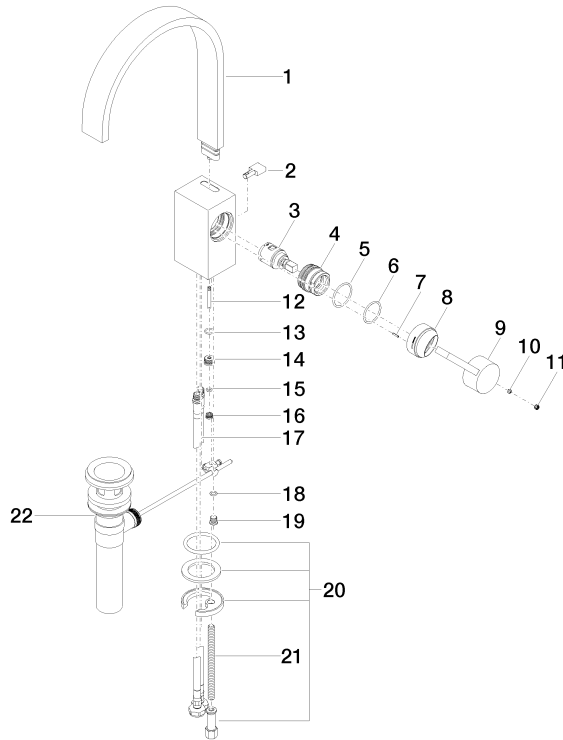
California Energy  
Commission  
(CEC)

NSF/ANSI 372

NSF/ANSI/CAN  
61

# Single-lever basin mixer with pop-up waste

33 501 782





## Single-lever basin mixer with pop-up waste

33 501 782

### Spare parts list

No.	Item Number	Name	Quantity used	Delivery time
1	90 28 22 152 02-00	spout	1	10
2	09 20 78 032-00	handle	1	10
3	90 15 05 042 00 90	cartridge	1	2
4	09 24 04 288 90	nut	1	2
5	09 14 10 137 90	seal	1	2
6	09 14 10 063 90	seal	1	2
7	09 31 11 152 90	pin	1	2
8	09 28 30 028-00	cover	1	10
9	09 20 78 057-00	handle	1	10
10	09 31 11 063 90	pin	1	2
11	09 31 20 109 90	plug	1	2
12	09 31 09 080-00	pull-rod	1	10
13	09 14 10 042 90	seal	1	2
14	09 24 04 289-00	nipple	1	10
15	09 14 10 166 90	seal	1	2
16	09 24 04 290 90	nipple	1	2
17	04 30 04 106 00 90	hose	2	2
18	09 14 10 132 90	seal	1	2
19	09 31 20 027 10-00	plug	1	10
20	04 30 11 038 75 90	fixing set	1	2
21	09 31 11 012 90	pin	1	2
22	04 11 01 023 00-00	Basin Waste US 1 1/4"	1	2