

Single-lever basin mixer with pop-up waste

33 500 809



- 167 mm projection
- US pop-up waste (only used in the USA)
- pivotable spout 360°
- circular, air-enriched flow
- height of mixer 306 mm
- height up to aerator 220 mm
- hole diameter 35 mm
- 2 x pressure hose with 3/8" cap nut
- max. flow 4.5 l/min
- lead-free

Codes & standards

- NSF/ANSI 372
- This product can help a building to meet requirements of Green Building Rating Systems, e.g. LEED®, BREEAM®, DGNB, WELL

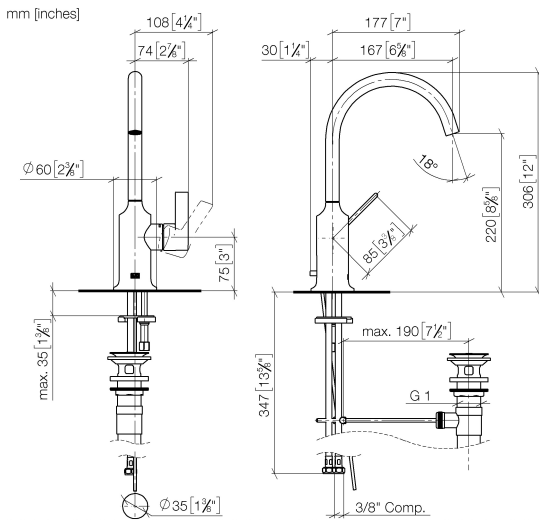
Only suitable for basins with an overflow.

	Chrome	33 500 809-00 0010
	Brushed Platinum	33 500 809-06 0010
	Platinum	33 500 809-08 0010
	Dark Chrome	33 500 809-19 0010
	Brushed Durabronze (23kt Gold)	33 500 809-28 0010
	Brushed Champagne (22kt Gold)	33 500 809-46 0010
	Champagne (22kt Gold)	33 500 809-47 0010
	Brushed Dark Platinum	33 500 809-99 0010

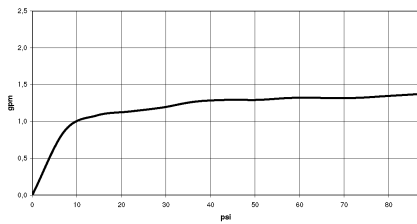


Single-lever basin mixer with pop-up waste

33 500 809



Flow rate chart



Codes & Standards

ADA

ASME
A112.18.1/CSA
B125.1

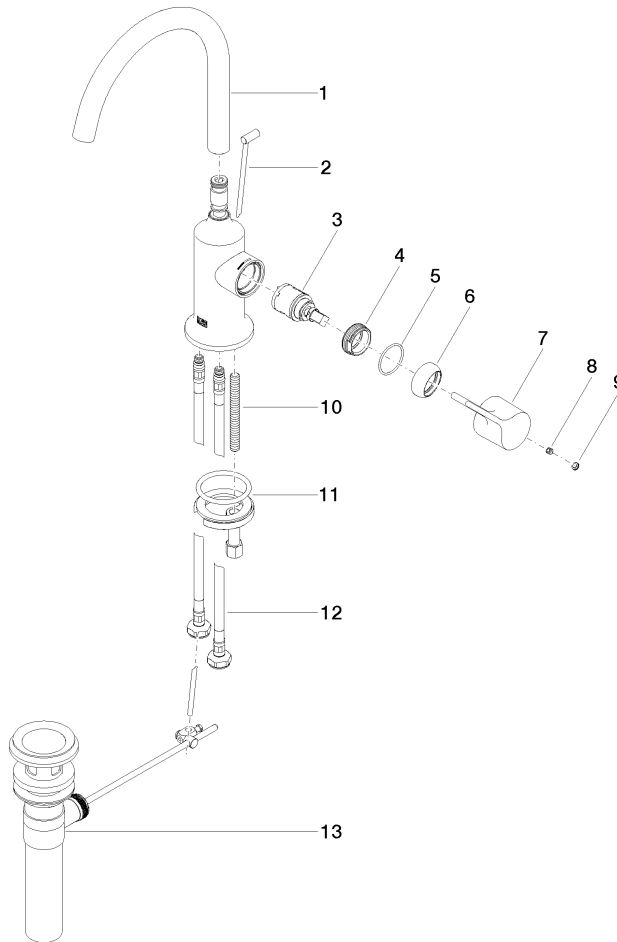
California Energy
Commission
(CEC)

NSF/ANSI 372

NSF/ANSI/CAN
61

Single-lever basin mixer with pop-up waste

33 500 809



Spare parts list

No.	Item Number	Name	Quantity used	Delivery time
1	90 28 22 311 01-00	spout	1	10
2	04 20 89 035 80-00	pull-rod	1	10
3	90 15 05 042 00 90	cartridge	1	2
4	09 24 04 266 90	nut	1	2
5	09 14 10 091 90	seal	1	2
6	09 28 30 021-00	cover	1	10
7	09 20 80 020-00	handle	1	10
8	09 31 11 030 90	pin	1	2
9	90 31 20 087 00-00	plug	1	10
10	09 31 11 011 90	pin	1	2
11	04 30 11 038 00 90	fixing set	1	2
12	04 30 04 102 00 90	High pressure hose 3/8"	2	2
13	04 11 01 023 00-00	Basin Waste US 1 1/4"	1	2