

## Two-way diverter for bath rim or tile edge installation

29 140 979



- automatic bath/shower diverter
- hole diameter 32 mm
- rosette Ø 50 mm
- 1/2" connection
- max. flow 64.9 l/min at 3 bar flow pressure
- WRAS: 1911025

### Codes & standards

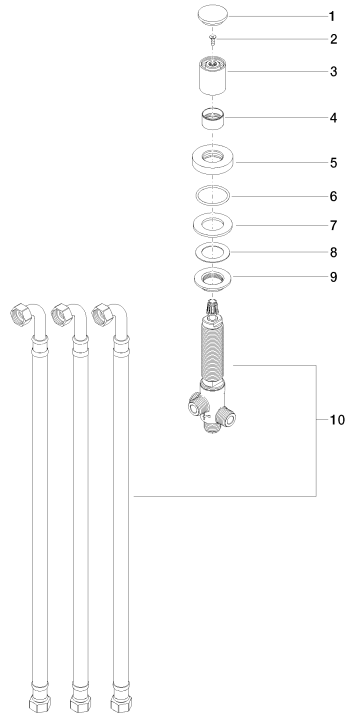
	Chrome	29 140 979-00
	Brushed Platinum	29 140 979-06
	Platinum	29 140 979-08
	Matte White	29 140 979-10
	Dark Chrome	29 140 979-19
	Brushed Durabrass (23kt Gold)	29 140 979-28
	Matte Black	29 140 979-33
	Brushed Champagne (22kt Gold)	29 140 979-46
	Champagne (22kt Gold)	29 140 979-47
	Brushed Chrome	29 140 979-93
	Brushed Dark Platinum	29 140 979-99



## Two-way diverter for bath rim or tile edge installation

29 140 979

Parts for other finishes can be found here: [Brushed](#)  
[Platinum](#)



### Spare parts list

No.	Item Number	Name	Quantity used	Delivery time
1	09 20 71 003-00	handle	1	10
2	90 30 30 014 00 90	screw	1	2
3	09 20 71 002-00	handle	1	10
4	09 16 01 012-00	ring	1	10
5	09 27 97 013-00	rosette	1	10
6	09 14 10 043 90	seal	1	2
7	09 14 05 014 90	seal	1	2
8	09 14 40 002 90	seal	1	2
9	09 23 10 004 90	nut	1	2
10	90 17 09 051 00 90	diverter	1	2