

Two-way diverter for bath rim or tile edge installation

29 140 670



- automatic bath/shower diverter
- hole diameter 32 mm
- rosette 60 x 60 mm
- 1/2" connection
- max. flow 64.9 l/min at 3 bar flow pressure
- WRAS: 1911025

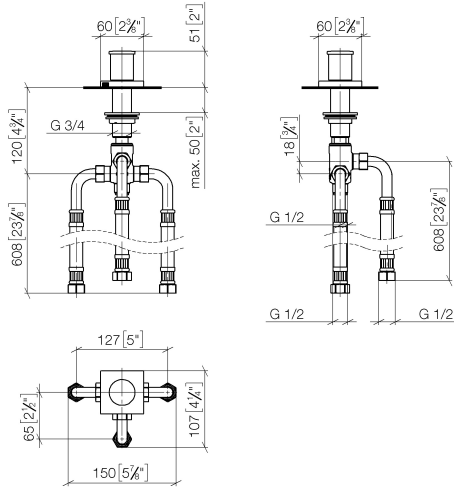
Codes & standards

	Chrome	29 140 670-00
	Brushed Platinum	29 140 670-06
	Platinum	29 140 670-08
	Dark Chrome	29 140 670-19
	Brushed Durabronze (23kt Gold)	29 140 670-28
	Brushed Champagne (22kt Gold)	29 140 670-46
	Champagne (22kt Gold)	29 140 670-47
	Brushed Chrome	29 140 670-93
	Brushed Dark Platinum	29 140 670-99

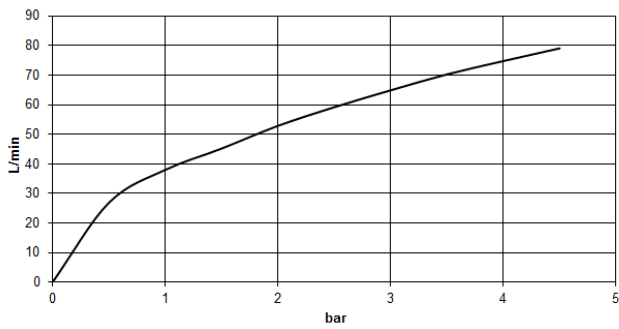
Two-way diverter for bath rim or tile edge installation

29 140 670

mm [inches]



Flow rate chart



Codes & Standards

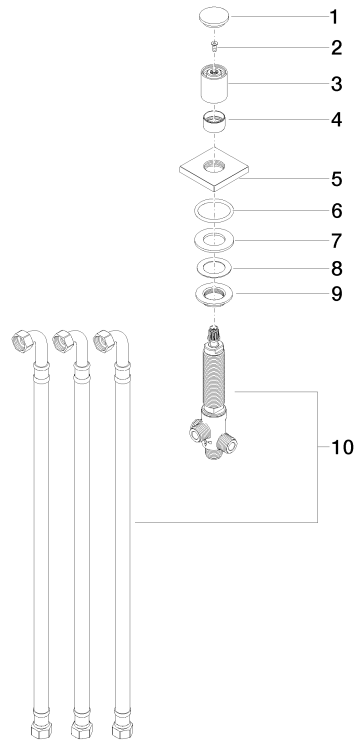
ASME
A112.18.1/CSA
B125.1

California Energy
Commission
(CEC)

Two-way diverter for bath rim or tile edge installation

29 140 670

Parts for other finishes can be found here: [Brushed](#)
[Platinum](#)



Spare parts list

No.	Item Number	Name	Quantity used	Delivery time
1	09 20 71 003-00	handle	1	10
2	90 30 30 014 00 90	screw	1	2
3	09 20 71 002-00	handle	1	10
4	09 16 01 012-00	ring	1	10
5	09 27 67 006-00	rosette	1	10
6	09 14 10 043 90	seal	1	2
7	09 14 05 014 90	seal	1	2
8	09 14 40 002 90	seal	1	2
9	09 23 10 004 90	nut	1	2
10	90 17 09 051 00 90	diverter	1	2