

Rain shower with wall fixing 220 mm

28 649 970



- 450 mm projection
- rain flow
- with anti-scale system
- rain shower Ø 220 mm
- rosette Ø 60 mm
- 1/2" connection
- max. flow 6.8 l/min
- quick clearing

Codes & standards

- This product reduces water consumption by % (compared to requirements of EPAAct '92)
- This product can contribute to Water Use Reduction in LEED® Green Building Rating
- This product can help a building to meet requirements of Green Building Rating Systems, e.g. LEED®, BREEAM®, DGNB, WELL

	Chrome	28 649 970-00 0010
	Brushed Platinum	28 649 970-06 0010
	Platinum	28 649 970-08 0010
	Matte White	28 649 970-10 0010
	Dark Chrome	28 649 970-19 0010
	Brushed Durabronze (23kt Gold)	28 649 970-28 0010
	Matte Black	28 649 970-33 0010
	Brushed Champagne (22kt Gold)	28 649 970-46 0010
	Champagne (22kt Gold)	28 649 970-47 0010
	Brushed Chrome	28 649 970-93 0010
	Brushed Dark Platinum	28 649 970-99 0010

Required miscellaneous



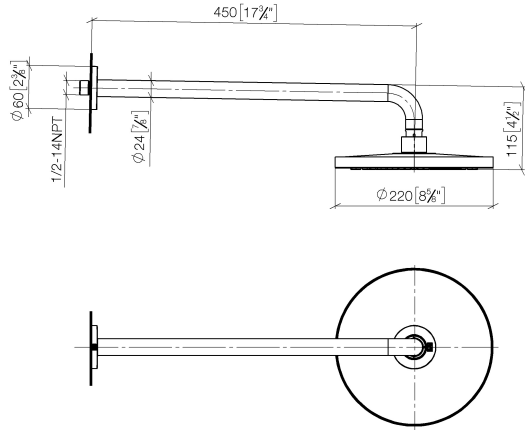
- Concealed wall elbow** 35 085 970-90
- min. recess depth 90 mm 0010
 - max. recess depth 163 mm



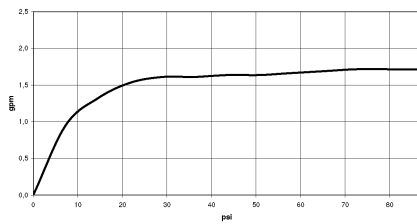
Rain shower with wall fixing 220 mm

28 649 970

mm [inches]



Flow rate chart



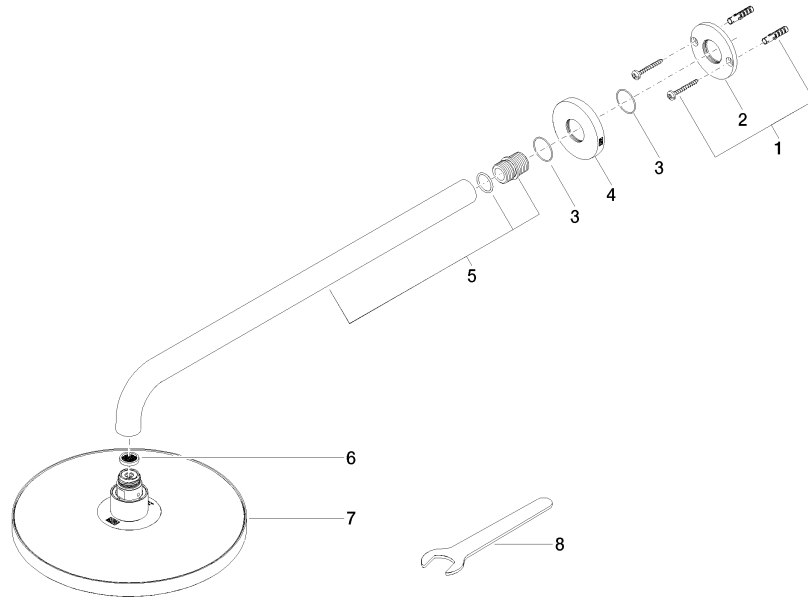
Codes & Standards

ASME
A112.18.1/CSA
B125.1

California Energy
Commission
(CEC)

Rain shower with wall fixing 220 mm

28 649 970



Spare parts list

No.	Item Number	Name	Quantity used	Delivery time
1	04 30 31 032 00 90	fixing set	1	2
2	09 17 20 120 90	holder	1	2
3	09 14 10 150 90	seal	2	2
4	09 27 97 015-00	rosette	1	10
5	90 11 03 070 00-00	pipe	1	10
6	09 23 01 075 90	insert	1	2
7	04 12 05 092 10-00	shower	1	10
8	09 30 09 069 90	key	1	2