

## Shower head

28 504 979



- 180-210 mm projection
- ball-joint pivotable through 30°
- normal flow
- with anti-scale system
- spray head Ø 100mm
- rosette Ø 55 mm
- 1/2" connection
- max. flow 6.8 l/min

### Codes & standards

- This product reduces water consumption by % (compared to requirements of EPAAct '92)
- This product can help a building to meet requirements of Green Building Rating Systems, e.g. LEED®, BREEAM®, DGNB, WELL

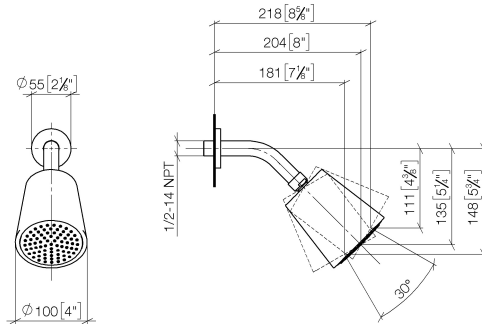
	Chrome	28 504 979-00 0010
	Brushed Platinum	28 504 979-06 0010
	Platinum	28 504 979-08 0010
	Matte White	28 504 979-10 0010
	Dark Chrome	28 504 979-19 0010
	Brushed Durabrass (23kt Gold)	28 504 979-28 0010
	Matte Black	28 504 979-33 0010
	Brushed Champagne (22kt Gold)	28 504 979-46 0010
	Champagne (22kt Gold)	28 504 979-47 0010
	Brushed Chrome	28 504 979-93 0010
	Brushed Dark Platinum	28 504 979-99 0010



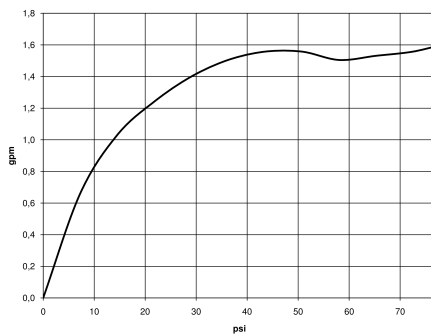
## Shower head

28 504 979

mm [inches]



## Flow rate chart



## Codes & Standards

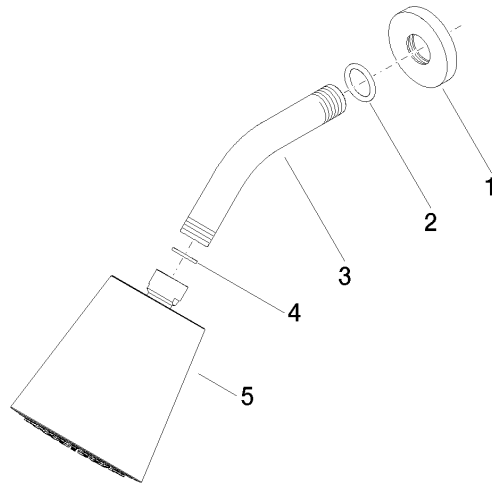
ASME  
A112.18.1/CSA  
B125.1

California Energy  
Commission  
(CEC)

## Shower head

28 504 979

Parts for other  
finishes can be found  
here: [Brushed  
Platinum](#)



## Spare parts list

No.	Item Number	Name	Quantity used	Delivery time
1	09 27 22 003-00	rosette	1	10
2	09 14 10 026 90	seal	1	2
3	09 11 03 011-00	connection	1	10
4	09 14 20 002 90	seal	1	60
5	90 12 05 054 01-00	shower	1	10