

Shower head

28 504 670



- 180-210 mm projection
- ball-joint pivotable through 30°
- normal flow
- with anti-scale system
- spray head Ø 100mm
- rosette 60 x 60 mm
- 1/2" connection
- max. flow 6.8 l/min
- Function from: 5.5 l/min

Codes & standards

- This product reduces water consumption by % (compared to requirements of EPAct '92)
- This product can help a building to meet requirements of Green Building Rating Systems, e.g. LEED®, BREEAM®, DGNB, WELL

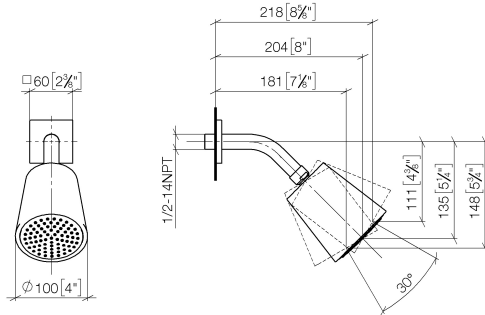
	Chrome	28 504 670-00 0010
	Brushed Platinum	28 504 670-06 0010
	Platinum	28 504 670-08 0010
	Dark Chrome	28 504 670-19 0010
	Brushed Durabronze (23kt Gold)	28 504 670-28 0010
	Brushed Champagne (22kt Gold)	28 504 670-46 0010
	Champagne (22kt Gold)	28 504 670-47 0010
	Brushed Chrome	28 504 670-93 0010
	Brushed Dark Platinum	28 504 670-99 0010



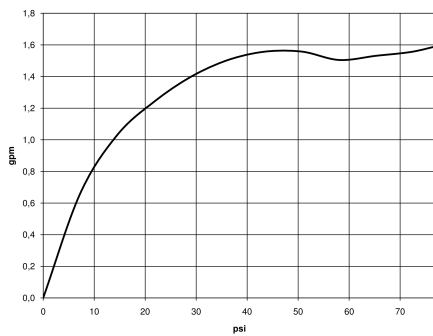
Shower head

28 504 670

mm [inches]



Flow rate chart



Codes & Standards

ASME
A112.18.1/CSA
B125.1

California Energy
Commission
(CEC)

Shower head

28 504 670

Parts for other
finishes can be found
here: [Brushed](#)
[Platinum](#)



Spare parts list

No.	Item Number	Name	Quantity used	Delivery time
1	09 27 98 003-00	rosette	1	10
2	09 31 11 048 90	pin	1	2
3	09 14 10 026 90	seal	1	2
4	09 11 03 011-00	connection	1	10
5	09 14 20 002 90	seal	1	60
6	90 12 05 054 01-00	shower	1	10