

Rain shower for recessed ceiling installation 300 x 240 mm

28 043 980



- rain shower 300 x 240mm
- Rain flow, max. flow rate 6,8 l/min
- Spray flow, max. flow rate 6,8 l/min
- min. recess depth 137,5 mm
- with anti-scale system
- This product reduces water consumption by % (compared to requirements of EPA Act '92)
- This product can contribute to Water Use Reduction in LEED® Green Building Rating
- Not suitable for use in a steam bath

Three-way diverter ensures that the product does not exceed the max. flow rate of 2.5 gpm at any setting. It does not permit the use of two functions simultaneously.

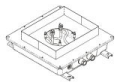
Three-way diverter trim is sold separately

Three-way diverter ensures that the product does not exceed the max. flow rate of 2.5 gpm at any setting. It does not permit the use of two functions simultaneously.

Three-way diverter trim is sold separately

	Chrome	28 043 980-00 0010
	Brushed Platinum	28 043 980-06 0010
	Platinum	28 043 980-08 0010
	Matte White	28 043 980-10 0010
	Brushed Durabrass (23kt Gold)	28 043 980-28 0010
	Matte Black	28 043 980-33 0010
	Brushed Champagne (22kt Gold)	28 043 980-46 0010
	Champagne (22kt Gold)	28 043 980-47 0010
	Brushed Chrome	28 043 980-93 0010
	Brushed Dark Platinum	28 043 980-99 0010

Required miscellaneous



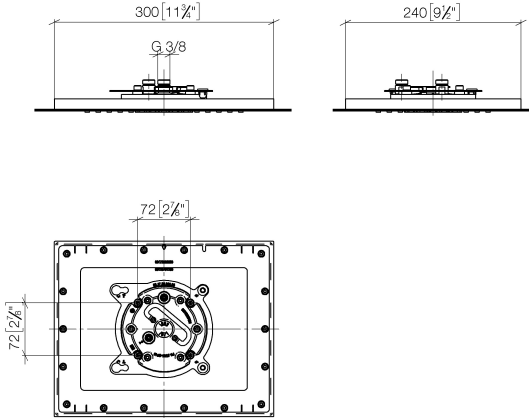
Concealed ceiling installation box for recessed ceiling installation 35 043 970-90 0010

- recess depth 137mm

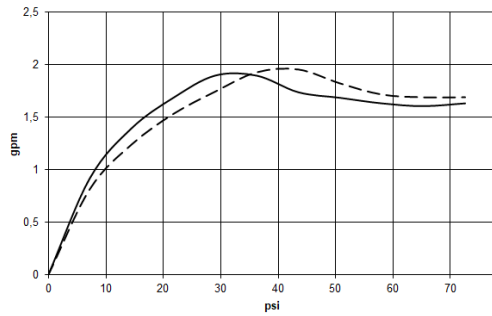
Rain shower for recessed ceiling installation 300 x 240 mm

28 043 980

mm [inches]

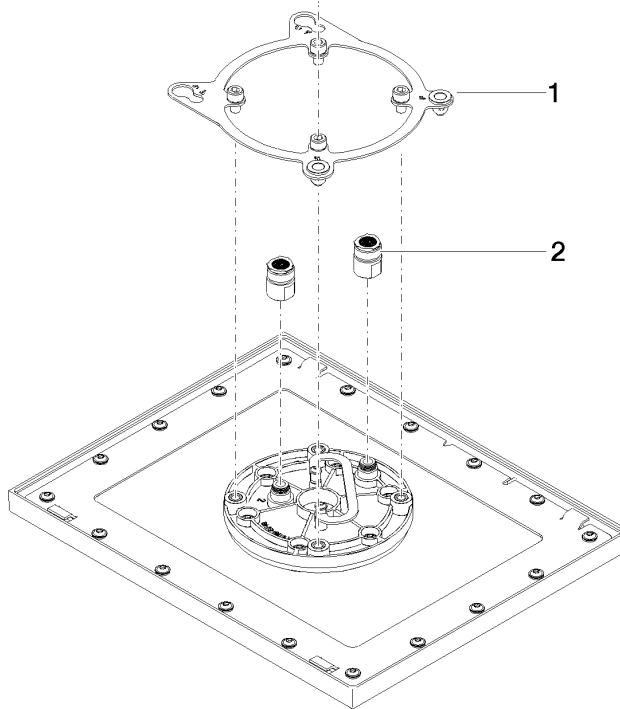


Flow rate chart



Rain shower for recessed ceiling installation 300 x 240 mm

28 043 980



Spare parts list

No.	Item Number	Name	Quantity used	Delivery time
1	90 17 20 260 00 90	flange	1	2
2	90 24 03 309 02 90	connection	1	2