

Hand shower set with cover plate FlowReduce

27 818 980



- normal flow
- with anti-scale system
- 3/8" shower outlet
- cover plate 240 x 60 mm
- metal shower hose 1250mm with integrated anti-twist protection
- 1/2" wall elbow
- max. flow 6.8 l/min

Codes & standards

- This product reduces water consumption by % (compared to requirements of EPAAct '92)
 - This product can contribute to Water Use Reduction in LEED® Green Building Rating
 - This product can help a building to meet requirements of Green Building Rating Systems, e.g. LEED®, BREEAM®, DGNB, WELL
- Intrinsic protection against back flow.**

Intrinsic protection against back flow.

	Chrome	27 818 980-00 0010
	Brushed Platinum	27 818 980-06 0010
	Platinum	27 818 980-08 0010
	Dark Chrome	27 818 980-19 0010
	Brushed Durabronze (23kt Gold)	27 818 980-28 0010
	Matte Black	27 818 980-33 0010
	Brushed Champagne (22kt Gold)	27 818 980-46 0010
	Champagne (22kt Gold)	27 818 980-47 0010
	Brushed Chrome	27 818 980-93 0010
	Brushed Dark Platinum	27 818 980-99 0010

Required miscellaneous

Concealed adapter

35 080 970-90
0010

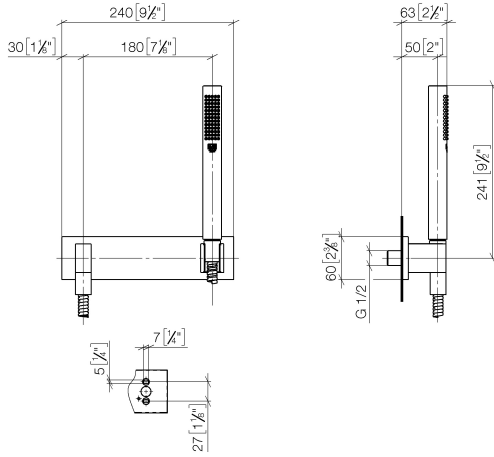




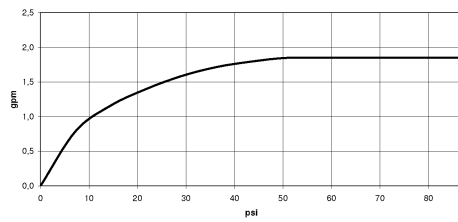
Hand shower set with cover plate FlowReduce

27 818 980

mm [inches]



Flow rate chart



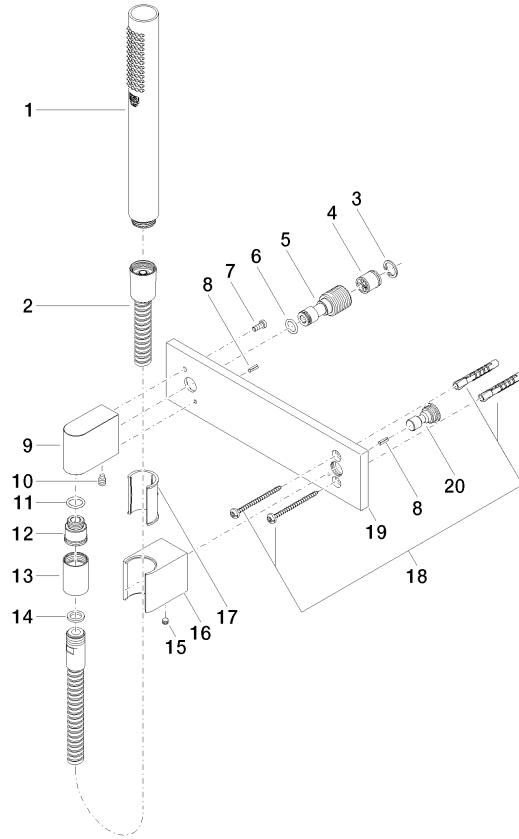
Codes & Standards

ASME
A112.18.1/CSA
B125.1

California Energy
Commission
(CEC)

Hand shower set with cover plate FlowReduce

27 818 980



Spare parts list

No.	Item Number	Name	Quantity used	Delivery time
1	90 12 11 140 30-00	shower	1	10
2	90 30 02 072 00-00	Metal shower hose 1/2" x 3/8" x 1250 mm	1	10
3	09 16 01 014 90	ring	1	2
4	09 23 01 141 90	back-flow preventer	1	2
5	09 24 03 116 20 90	nipple	1	2
6	09 14 10 008 90	seal	1	2
7	09 30 30 054 90	screw	1	2
8	09 31 11 026 90	pin	2	2
9	09 11 03 046-00	connection	1	10
10	04 31 11 140 00 90	pin	1	2
11	09 14 10 077 90	seal	1	2
12	09 24 03 107 20 90	nipple	1	2
13	09 21 02 069-00	cover	1	10
14	09 14 20 026 90	seal	1	2
15	04 31 11 112 00 90	pin	1	2
16	09 17 20 044-00	holder	1	10
17	09 18 40 078 90	sleeve	1	2
18	05 30 31 025 00 90	fixing set	1	2
19	09 11 02 120-00	plate	1	10
20	09 24 03 073 90	nipple	1	2