

Hand shower set with individual rosettes FlowReduce

27 808 980



- normal flow
- with anti-scale system
- 3/8" shower outlet
- rosette for wall elbow 60 x 60mm
- rosette for shower holder 60 x 60mm
- metal shower hose 1250mm with integrated anti-twist protection
- 1/2" wall elbow
- max. flow 6.8 l/min

Codes & standards

- This product reduces water consumption by % (compared to requirements of EPA Act '92)
 - This product can contribute to Water Use Reduction in LEED® Green Building Rating
 - This product can help a building to meet requirements of Green Building Rating Systems, e.g. LEED®, BREEAM®, DGNB, WELL
- Intrinsic protection against back flow.**

Intrinsic protection against back flow.

| | | |
|--|--------------------------------|--------------------|
|  | Chrome | 27 808 980-00 0010 |
|  | Brushed Platinum | 27 808 980-06 0010 |
|  | Platinum | 27 808 980-08 0010 |
|  | Dark Chrome | 27 808 980-19 0010 |
|  | Brushed Durabronze (23kt Gold) | 27 808 980-28 0010 |
|  | Matte Black | 27 808 980-33 0010 |
|  | Brushed Champagne (22kt Gold) | 27 808 980-46 0010 |
|  | Champagne (22kt Gold) | 27 808 980-47 0010 |
|  | Brushed Chrome | 27 808 980-93 0010 |
|  | Brushed Dark Platinum | 27 808 980-99 0010 |

Required miscellaneous

Concealed adapter

35 080 970-90
0010

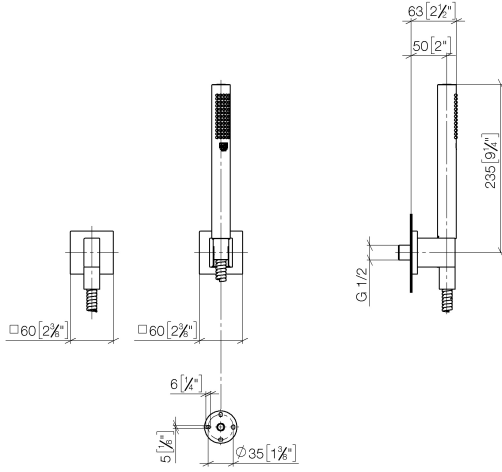




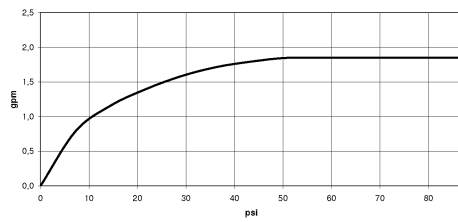
Hand shower set with individual rosettes FlowReduce

27 808 980

mm [inches]



Flow rate chart



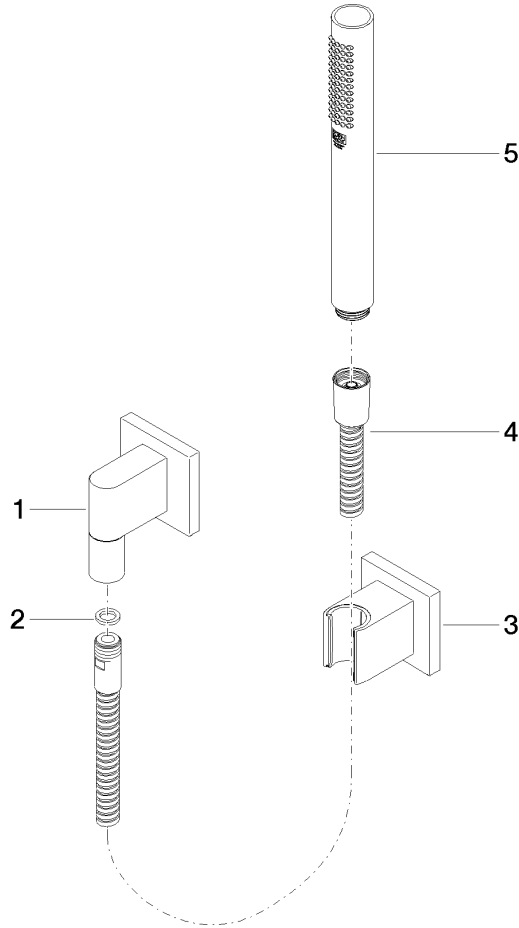
Codes & Standards

ASME
A112.18.1/CSA
B125.1

California Energy
Commission
(CEC)

Hand shower set with individual rosettes FlowReduce

27 808 980



Spare parts list

| No. | Item Number | Name | Quantity used | Delivery time |
|-----|--------------------|---|---------------|---------------|
| 1 | 28 450 980-00 | Wall elbow | 1 | 10 |
| 2 | 09 14 20 026 90 | seal | 1 | 2 |
| 3 | 28 050 980-00 | Wall bracket | 1 | 10 |
| 4 | 90 30 02 072 00-00 | Metal shower hose 1/2" x 3/8" x 1250 mm | 1 | 10 |
| 5 | 90 12 11 140 30-00 | shower | 1 | 10 |