

Hand shower set with individual rosettes FlowReduce

27 808 809

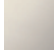


- normal flow
- with anti-scale system
- 3/8" shower outlet
- rosette for wall elbow Ø 60mm
- rosette for shower holder Ø 60mm
- metal shower hose 1250mm with integrated anti-twist protection
- 1/2" wall elbow
- max. flow 6.8 l/min

Codes & standards

- This product reduces water consumption by % (compared to requirements of EPAct '92)
 - This product can contribute to Water Use Reduction in LEED® Green Building Rating
 - This product can help a building to meet requirements of Green Building Rating Systems, e.g. LEED®, BREEAM®, DGNB, WELL
- Intrinsic protection against back flow.**

Intrinsic protection against back flow.

	Chrome	27 808 809-00 0010
	Brushed Platinum	27 808 809-06 0010
	Platinum	27 808 809-08 0010
	Dark Chrome	27 808 809-19 0010
	Brushed Durabronze (23kt Gold)	27 808 809-28 0010
	Brushed Champagne (22kt Gold)	27 808 809-46 0010
	Champagne (22kt Gold)	27 808 809-47 0010
	Brushed Dark Platinum	27 808 809-99 0010

Required miscellaneous

Concealed adapter

35 080 970-90
0010

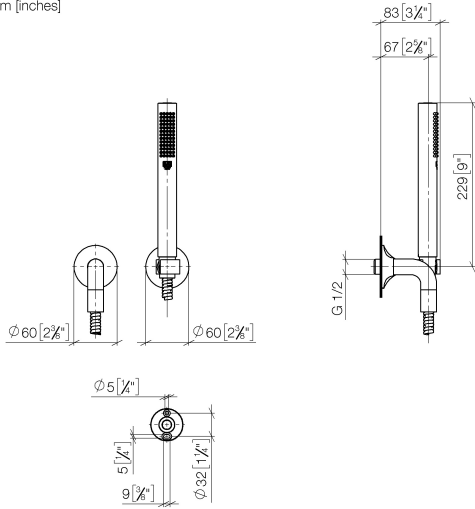




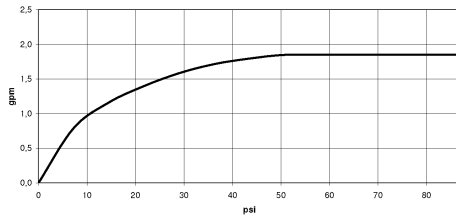
Hand shower set with individual rosettes FlowReduce

27 808 809

mm [inches]



Flow rate chart



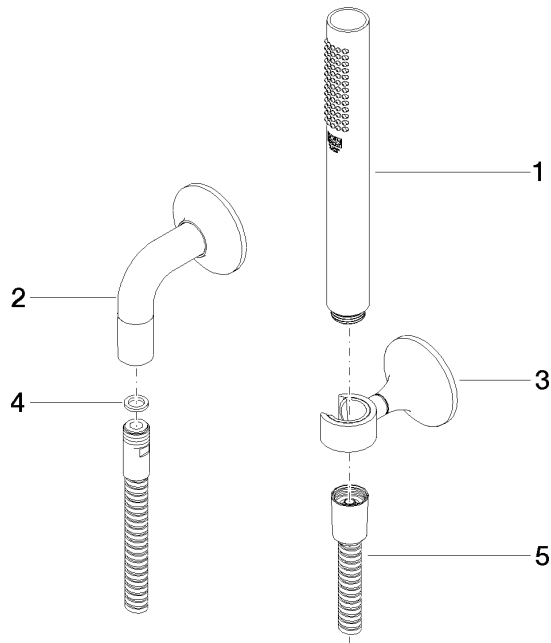
Codes & Standards

ASME
A112.18.1/CSA
B125.1

California Energy
Commission
(CEC)

Hand shower set with individual rosettes FlowReduce

27 808 809



Spare parts list

No.	Item Number	Name	Quantity used	Delivery time
1	90 12 11 140 30-00	shower	1	10
2	28 450 809-00	Wall elbow	1	10
3	28 050 809-00	Wall bracket	1	10
4	09 14 20 026 90	seal	1	2
5	90 30 02 072 00-00	Metal shower hose 1/2" x 3/8" x 1250 mm	1	10