

Hand shower set FlowReduce

27 806 625



- normal flow
- with anti-scale system
- rosette Ø 55 mm
- metal shower hose 1250mm with integrated anti-twist protection
- shower holder rosette Ø 55mm
- max. flow 6.8 l/min

Codes & standards

- This product reduces water consumption by % (compared to requirements of EPAAct '92)
- This product can contribute to Water Use Reduction in LEED® Green Building Rating
- This product can help a building to meet requirements of Green Building Rating Systems, e.g. LEED®, BREEAM®, DGNB, WELL

Intrinsic protection against back flow.

	Chrome	27 806 625-00 0010
	Brushed Platinum	27 806 625-06 0010
	Dark Chrome	27 806 625-19 0010
	Brushed Durabronze (23kt Gold)	27 806 625-28 0010
	Matte Black	27 806 625-33 0010
	Brushed Champagne (22kt Gold)	27 806 625-46 0010
	Champagne (22kt Gold)	27 806 625-47 0010
	Brushed Chrome	27 806 625-93 0010

Recommended miscellaneous

Concealed adapter

35 080 970-90
0010



Recommended miscellaneous

Wall elbow

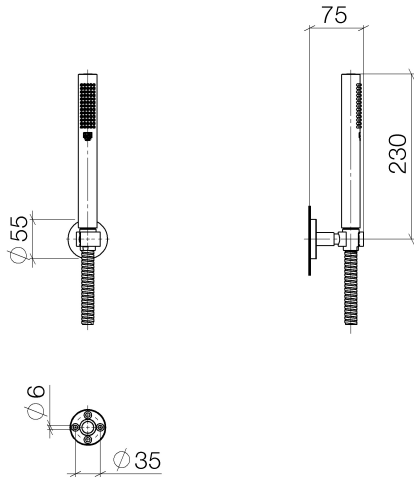
28 450 625-00



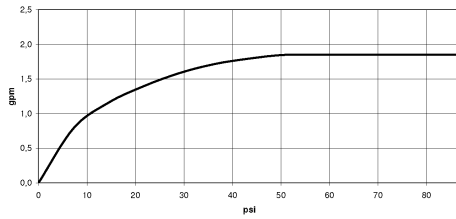


Hand shower set FlowReduce

27 806 625



Flow rate chart



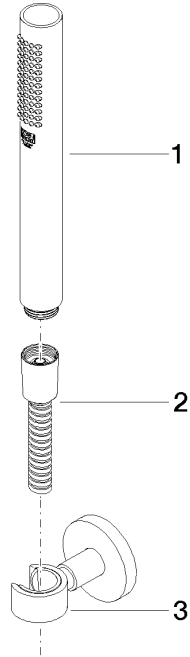
Codes & Standards

ASME
A112.18.1/CSA
B125.1

California Energy
Commission
(CEC)

Hand shower set FlowReduce

27 806 625



Spare parts list

No.	Item Number	Name	Quantity used	Delivery time
1	90 12 11 140 30-00	shower	1	10
2	90 30 02 072 00-00	Metal shower hose 1/2" x 3/8" x 1250 mm	1	10
3	28 050 625-00	Wall bracket	1	10