

Hand shower set with integrated shower holder FlowReduce

27 803 660



- three settings: normal flow, soft flow, massage flow
- with anti-scale system
- 3/8" shower outlet
- metal shower hose 1250mm with integrated anti-twist protection
- rosette Ø 60 mm
- 1/2" connection
- max. flow 6.8 l/min

Codes & standards

- This product reduces water consumption by % (compared to requirements of EPAct '92)
 - This product can contribute to Water Use Reduction in LEED® Green Building Rating
 - This product can help a building to meet requirements of Green Building Rating Systems, e.g. LEED®, BREEAM®, DGNB, WELL
- Intrinsic protection against back flow.**

Intrinsic protection against back flow.

	Chrome	27 803 660-00 0010
	Brushed Platinum	27 803 660-06 0010
	Platinum	27 803 660-08 0010
	Matte White	27 803 660-10 0010
	Dark Chrome	27 803 660-19 0010
	Brushed Durabronze (23kt Gold)	27 803 660-28 0010
	Matte Black	27 803 660-33 0010
	Brushed Champagne (22kt Gold)	27 803 660-46 0010
	Champagne (22kt Gold)	27 803 660-47 0010
	Brushed Chrome	27 803 660-93 0010
	Brushed Dark Platinum	27 803 660-99 0010

Required miscellaneous

Concealed adapter

35 080 970-90
0010

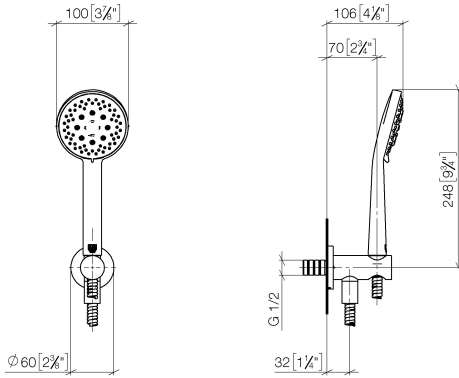




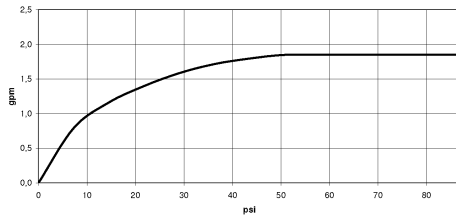
Hand shower set with integrated shower holder FlowReduce

27 803 660

mm [inches]



Flow rate chart



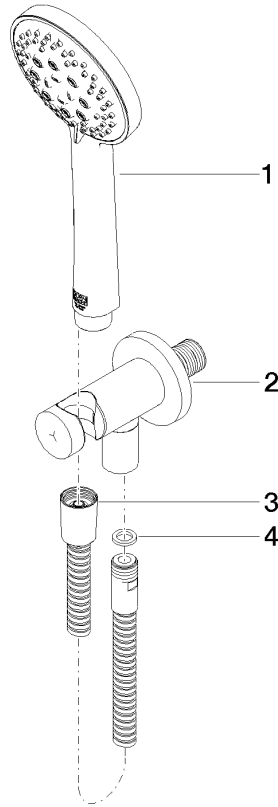
Codes & Standards

ASME
A112.18.1/CSA
B125.1

California Energy
Commission
(CEC)

Hand shower set with integrated shower holder FlowReduce

27 803 660



Spare parts list

No.	Item Number	Name	Quantity used	Delivery time
1	28 014 979-00 0010	Hand shower	1	-
2	28 490 660-00	Wall elbow with integrated shower holder	1	10
3	90 30 02 072 00-00	Metal shower hose 1/2" x 3/8" x 1250 mm	1	10
4	09 14 20 026 90	seal	1	2