

Hand shower set with individual rosettes FlowReduce

27 802 845

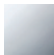


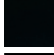



- normal flow
- with anti-scale system
- 3/8" shower outlet
- rosette for wall elbow 60 x 78mm
- rosette for shower holder 60 x 78mm
- metal shower hose 1250mm with integrated anti-twist protection
- 1/2" wall elbow
- max. flow 6.8 l/min

Codes & standards

- This product reduces water consumption by % (compared to requirements of EPAct '92)
 - This product can contribute to Water Use Reduction in LEED® Green Building Rating
 - This product can help a building to meet requirements of Green Building Rating Systems, e.g. LEED®, BREEAM®, DGNB, WELL
- Intrinsic protection against back flow.**

Intrinsic protection against back flow.

	Chrome	27 802 845-00 0010
	Brushed Platinum	27 802 845-06 0010
	Dark Chrome	27 802 845-19 0010
	Matte Black	27 802 845-33 0010
	Brushed Chrome	27 802 845-93 0010

Required miscellaneous

Concealed adapter

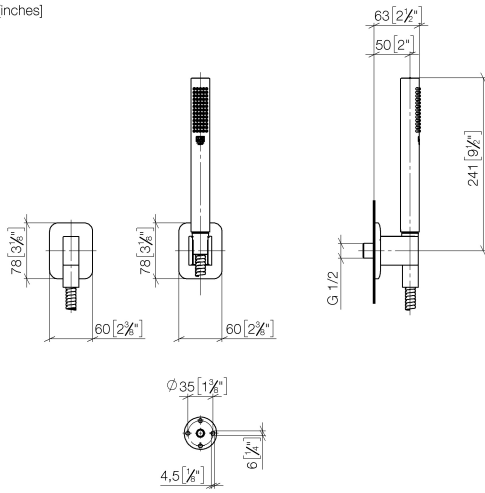
35 080 970-90
0010



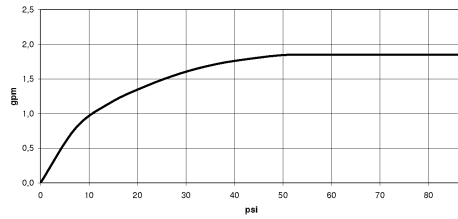
Hand shower set with individual rosettes FlowReduce

27 802 845

mm [inches]



Flow rate chart



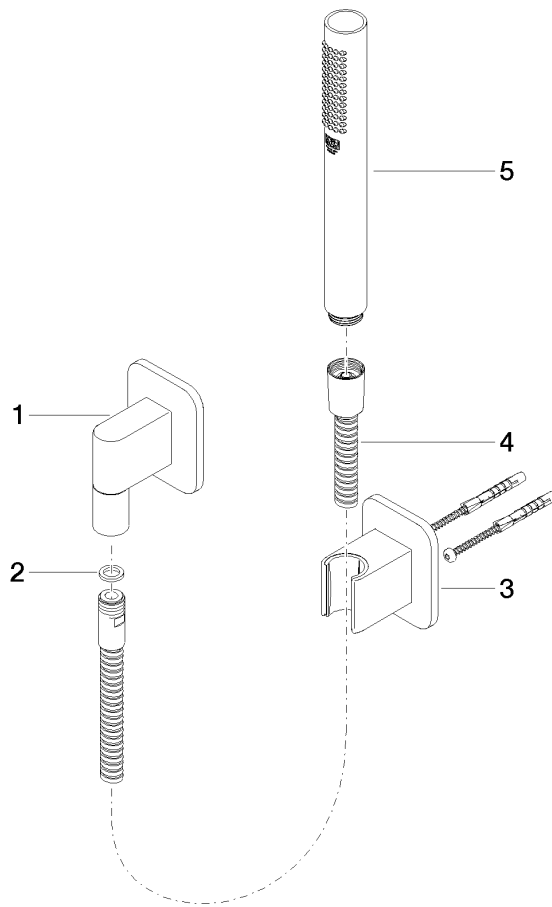
Codes & Standards

ASME
A112.18.1/CSA
B125.1

California Energy
Commission
(CEC)

Hand shower set with individual rosettes FlowReduce

27 802 845



Spare parts list

No.	Item Number	Name	Quantity used	Delivery time
1	28 450 845-00	Wall elbow	1	10
2	09 14 20 026 90	seal	1	2
3	28 050 845-00	Wall bracket	1	10
4	90 30 02 072 00-00	Metal shower hose 1/2" x 3/8" x 1250 mm	1	10
5	90 12 11 140 30-00	shower	1	10