

## Hand shower set for bath rim or tile edge installation

27 702 809



- normal flow
- with anti-scale system
- rosette Ø 60 mm
- hole diameter 32 mm
- metal shower hose 1750mm with integrated anti-twist protection
- max. flow 6.8 l/min

**Codes & standards**

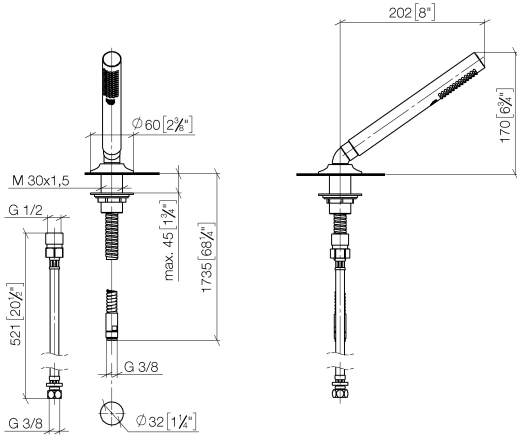
Intrinsic protection against back flow.

	Chrome	27 702 809-00
	Brushed Platinum	27 702 809-06
	Platinum	27 702 809-08
	Dark Chrome	27 702 809-19
	Brushed Durabronze (23kt Gold)	27 702 809-28
	Brushed Champagne (22kt Gold)	27 702 809-46
	Champagne (22kt Gold)	27 702 809-47
	Brushed Dark Platinum	27 702 809-99

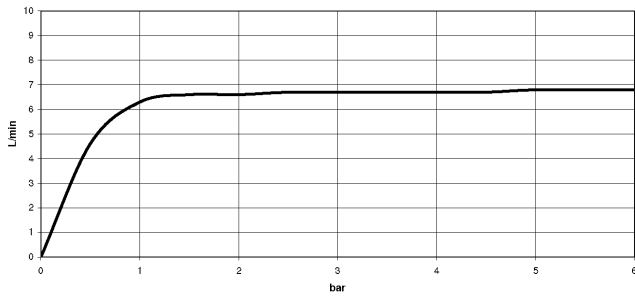
**Hand shower set for bath rim or tile edge installation**

27 702 809

mm [inches]



**Flow rate chart**



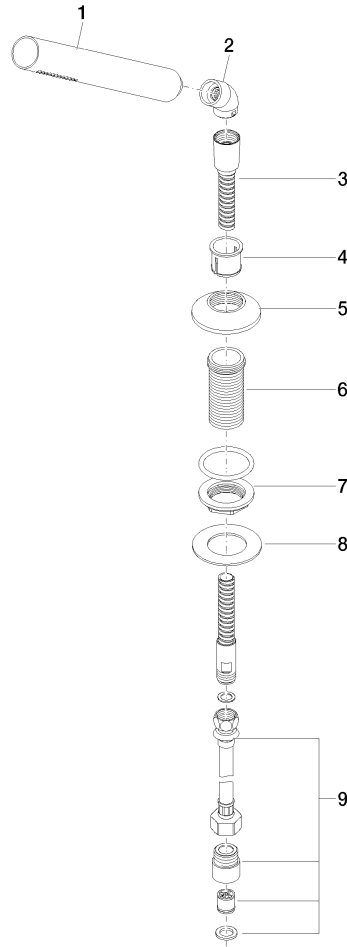
**Codes & Standards**

ASME A112.18.1/CSA B125.1	California Energy Commission (CEC)
---------------------------------	--

## Hand shower set for bath rim or tile edge installation

27 702 809

Parts for other finishes can be found here: [Brushed](#)  
[Platinum](#)



### Spare parts list

No.	Item Number	Name	Quantity used	Delivery time
1	90 12 11 140 30-00	shower	1	10
2	28 411 970-00	angle	1	10
3	28 322 970-00	Metal shower hose 1/2" x 3/8" x 1750 mm	1	2
4	09 18 40 085 90	sleeve	1	2
5	09 27 80 016-00	rosette	1	10
6	09 30 01 090-07	sleeve	1	30
7	04 23 10 032 46 90	fixing set	1	2
8	09 30 11 060 90	disc	1	2
9	12 505 970 90	High pressure hose 1/2" x 3/8" x 500 mm	1	2