

Bath shower set for bath rim or tile edge installation




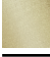

27 632 811



- 167 mm projection
- complete hand shower set: normal flow
- spout: rectangular normal flow
- complete hand shower set with anti-scale system
- automatic bath/shower diverter
- height of mixer 198 mm
- height up to aerator 133 mm
- hole diameter spout 28 mm
- hole diameter for complete hand shower set 32 mm
- rosette for mixer 60 x 60mm
- rosette for complete hand shower set 60 x 60mm
- metal shower hose 1750mm with integrated anti-twist protection
- max. flow 23.8 l/min at 3 bar flow pressure
- max. flow for complete hand shower set 6.8 l/min

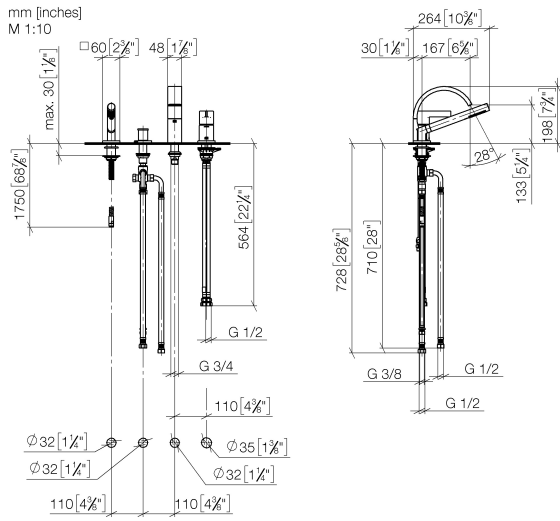
Intrinsic protection against back flow.

Note: Local building codes may require the use of an anti-scald device. Please refer to remote pressure balance valve (35 910 970 90)

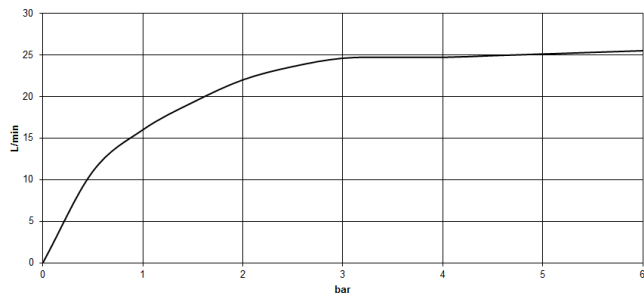
	Chrome	27 632 811-00
	Brushed Platinum	27 632 811-06
	Dark Chrome	27 632 811-19
	Brushed Durabronze (23kt Gold)	27 632 811-28
	Brushed Dark Platinum	27 632 811-99

Bath shower set for bath rim or tile edge installation

27 632 811



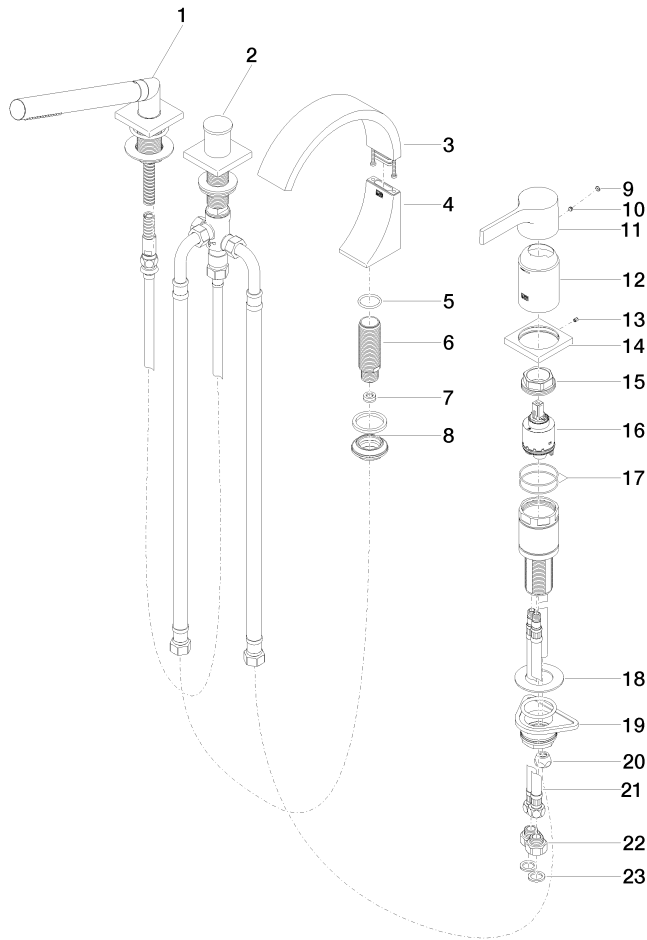
Flow rate chart



Bath shower set for bath rim or tile edge installation

27 632 811

Parts for other finishes can be found here: [Brushed](#)
[Platinum](#)





Bath shower set for bath rim or tile edge installation

27 632 811

Spare parts list

No.	Item Number	Name	Quantity used	Delivery time
1	27 702 980-00	Hand shower set for bath rim or tile edge installation	1	10
2	29 140 670-00	Two-way diverter for bath rim or tile edge installation	1	10
3	90 11 70 013 00-00	spout	1	10
4	90 19 70 011 00-00	connection	1	10
5	09 14 10 009 90	seal	1	2
6	09 30 01 117 90	connection	1	2
7	09 23 01 057 90	flow reducer	1	2
8	04 23 10 044 09 90	fixing set	1	2
9	90 31 20 087 00-00	plug	1	10
10	09 31 11 063 90	pin	1	2
11	09 20 67 007-00	handle	1	10
12	09 28 30 037-00	cover	1	10
13	09 31 11 044 90	pin	1	2
14	09 27 67 016-00	rosette	1	10
15	09 24 04 448 90	nut	1	2
16	90 15 05 039 00 90	cartridge	1	2
17	09 14 10 201 90	seal	2	2
18	09 30 11 060 90	disc	1	2
19	04 23 10 044 02 90	fixing set	1	2
20	04 23 30 041 00 90	threaded connector	1	2
21	04 30 04 021 00 90	hose	2	2
22	09 24 03 185-00	nipple	2	10
23	09 14 05 004 90	seal	2	2