

Bath shower set for bath rim or tile edge installation

27 532 782

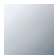

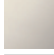
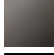

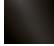


- 220 mm projection
- complete hand shower set: normal flow
- spout: rectangular normal flow
- complete hand shower set with anti-scale system
- automatic bath/shower diverter
- height of mixer 300 mm
- height up to aerator 170 mm
- hole diameter valve 32 mm
- hole diameter spout 32 mm
- hole diameter for complete hand shower set 32 mm
- rosette for spout 60 x 60mm
- rosette for complete hand shower set 60 x 60mm
- rosette for deck valve 60 x 60mm
- metal shower hose 1750mm with integrated anti-twist protection
- max. flow 27.3 l/min at 3 bar flow pressure
- max. flow for complete hand shower set 6.8 l/min
- WRAS: 1711017

Codes & standards

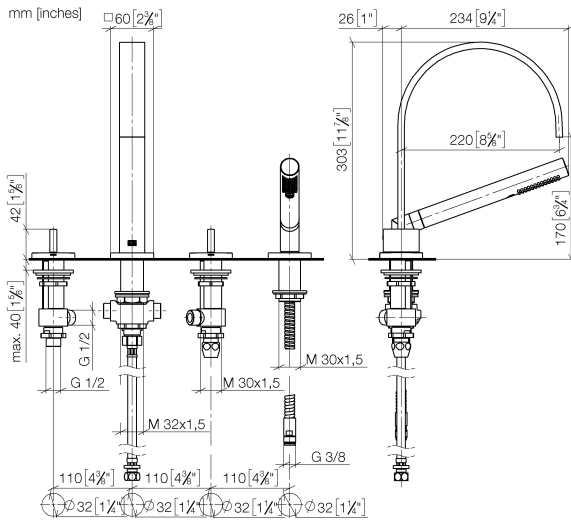
Intrinsic protection against back flow.

Note: Local building codes may require the use of an anti-scald device. Please refer to remote pressure balance valve (35 910 970 90)

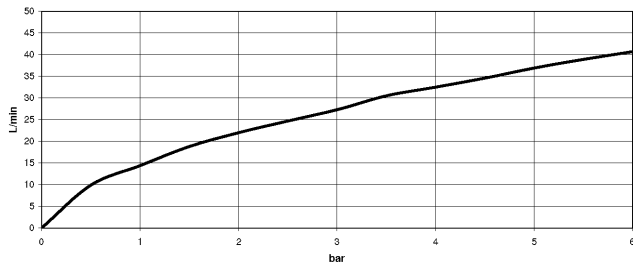
	Chrome	27 532 782-00
	Brushed Platinum	27 532 782-06
	Platinum	27 532 782-08
	Dark Chrome	27 532 782-19
	Brushed Durabronze (23kt Gold)	27 532 782-28
	Brushed Dark Platinum	27 532 782-99

Bath shower set for bath rim or tile edge installation

27 532 782



Flow rate chart



Codes & Standards

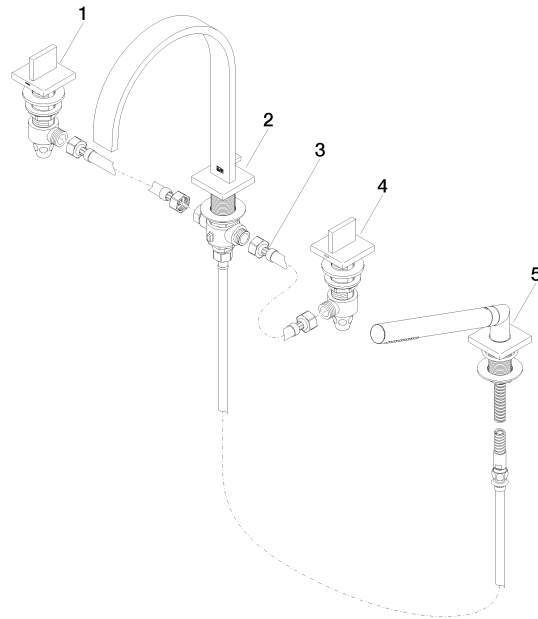
ASME
A112.18.1/CSA
B125.1

California Energy
Commission
(CEC)

Bath shower set for bath rim or tile edge installation

27 532 782

Parts for other finishes can be found here: [Brushed Platinum](#)



Spare parts list

No.	Item Number	Name	Quantity used	Delivery time
1	20 000 783-00	Deck valve anti-clockwise closing hot	1	10
2	13 512 782-00	spout	1	10
3	12 502 970 90	High pressure hose 1/2" x 1/2" x 400 mm	1	2
4	20 000 782-00	Deck valve clockwise closing cold	1	10
5	27 702 980-00	Hand shower set for bath rim or tile edge installation	1	10