

Five-hole bath mixer for bath rim or tile edge installation




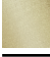

27 523 821



- 167 mm projection
- complete hand shower set: normal flow
- complete hand shower set with anti-scale system
- automatic bath/shower diverter
- height of mixer 198 mm
- height up to aerator 133 mm
- hole diameter spout 32 mm
- hole diameter valve 32 mm
- hole diameter for complete hand shower set 32 mm
- rosette for complete hand shower set 60 x 60mm
- rosette for deck valve 60 x 60mm
- metal shower hose 1700mm with integrated anti-twist protection
- max. flow 23.8 l/min at 3 bar flow pressure
- max. flow for complete hand shower set 6.8 l/min

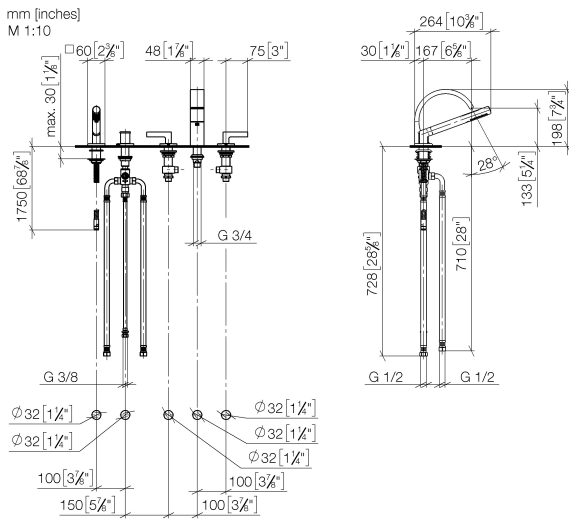
Intrinsic protection against back flow.

Note: Local building codes may require the use of an anti-scald device. Please refer to remote pressure balance valve (35 910 970 90)

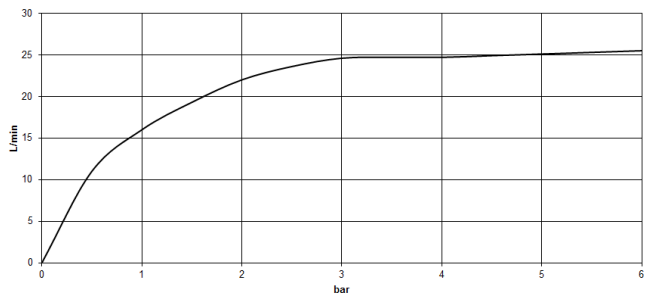
	Chrome	27 523 821-00
	Brushed Platinum	27 523 821-06
	Dark Chrome	27 523 821-19
	Brushed Durabronze (23kt Gold)	27 523 821-28
	Brushed Dark Platinum	27 523 821-99

Five-hole bath mixer for bath rim or tile edge installation

27 523 821



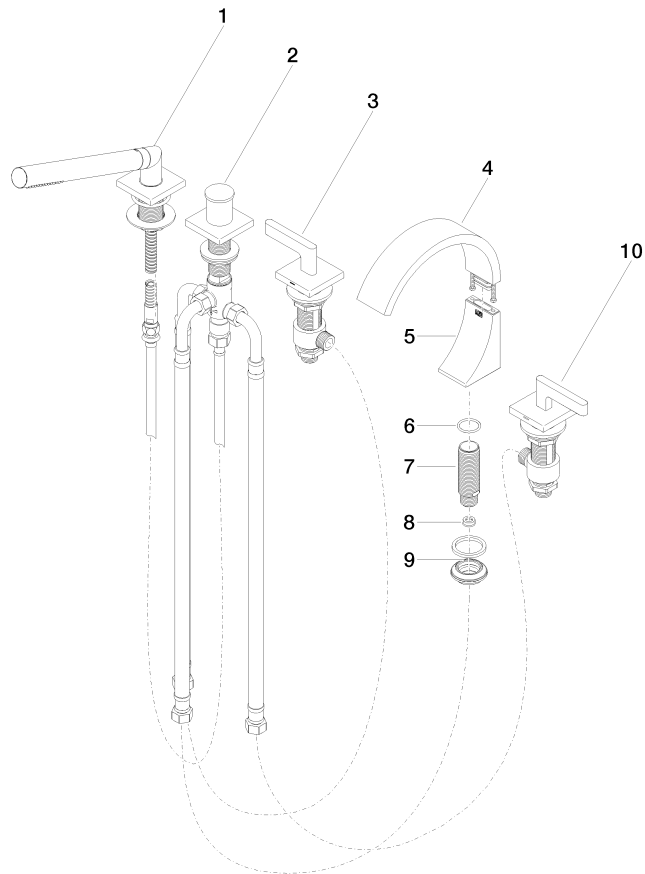
Flow rate chart



Five-hole bath mixer for bath rim or tile edge installation

27 523 821

Parts for other finishes can be found here: [Brushed](#)
[Platinum](#)



Spare parts list

No.	Item Number	Name	Quantity used	Delivery time
1	27 702 980-00	Hand shower set for bath rim or tile edge installation	1	10
2	29 140 670-00	Two-way diverter for bath rim or tile edge installation	1	10
3	20 000 715-00	Deck valve clockwise closing hot	1	10
4	90 11 70 013 00-00	spout	1	10
5	90 19 70 011 00-00	connection	1	10
6	09 14 10 009 90	seal	1	2
7	09 30 01 117 90	connection	1	2
8	09 23 01 057 90	flow reducer	1	2
9	04 23 10 044 09 90	fixing set	1	2
10	20 000 716-00	Deck valve anti-clockwise closing cold	1	10