

## Five-hole bath mixer for deck mounting with diverter

27 522 819




- 220 mm projection
- complete hand shower set: normal flow
- spout: circular, air-enriched flow
- complete hand shower set with anti-scale system
- automatic bath/shower diverter
- height of mixer 347 mm
- height up to aerator 244 mm
- hole diameter spout 32 mm
- hole diameter valve 32 mm
- hole diameter for complete hand shower set 32 mm
- rosette for spout Ø 60mm
- rosette for complete hand shower set Ø 60mm
- rosette for deck valve Ø 60mm
- metal shower hose 1750mm with integrated anti-twist protection
- max. flow 21.5 l/min at 3 bar flow pressure
- max. flow for complete hand shower set 6.8 l/min

### Codes & standards

Intrinsic protection against back flow.

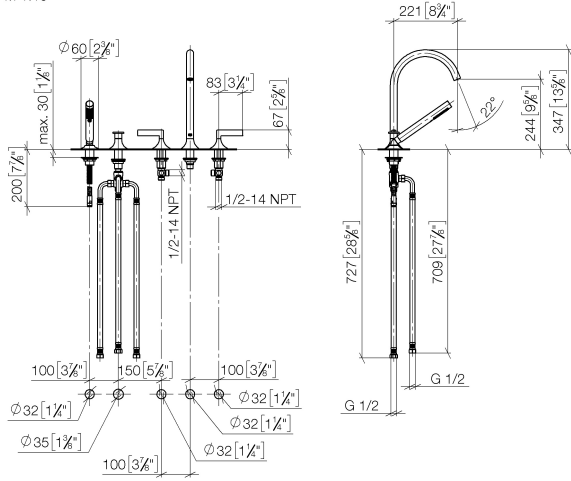
Note: Local building codes may require the use of an anti-scald device. Please refer to remote pressure balance valve (35 910 970 90)

	Chrome	27 522 819-00
	Brushed Platinum	27 522 819-06
	Platinum	27 522 819-08
	Dark Chrome	27 522 819-19
	Brushed Durabronze (23kt Gold)	27 522 819-28
	Brushed Champagne (22kt Gold)	27 522 819-46
	Champagne (22kt Gold)	27 522 819-47
	Brushed Dark Platinum	27 522 819-99

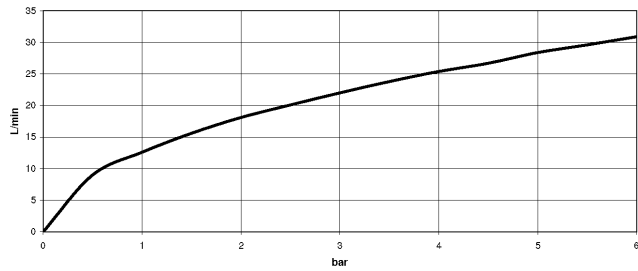
**Five-hole bath mixer for deck mounting with diverter**

27 522 819

mm [inches]  
M 1:10



**Flow rate chart**



**Codes & Standards**

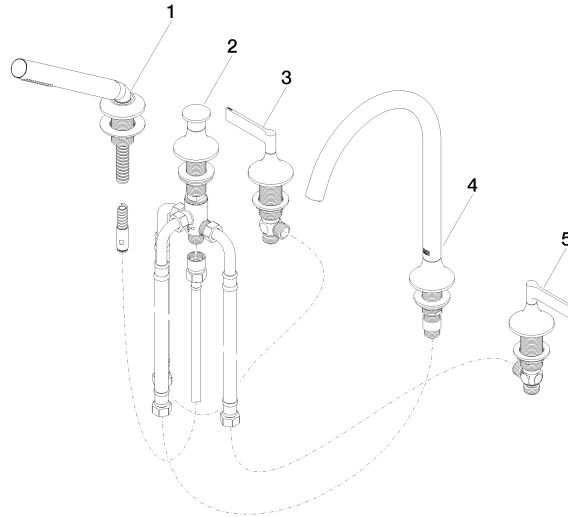
ASME  
A112.18.1/CSA  
B125.1

California Energy  
Commission  
(CEC)

**Five-hole bath mixer for deck mounting with diverter**

27 522 819

Parts for other finishes can be found here: [Brushed](#) [Platinum](#)



**Spare parts list**

No.	Item Number	Name	Quantity used	Delivery time
1	27 702 809-00	Hand shower set for bath rim or tile edge installation	1	10
2	29 140 809-00	Two-way diverter for bath rim or tile edge installation	1	10
3	20 000 818-00	Deck valve clockwise closing hot	1	-
4	12 502 970 90	High pressure hose 1/2" x 1/2" x 400 mm	2	2
5	13 612 809-00	Bath spout without diverter for deck mounting	1	-
6	20 000 819-00	Deck valve anti-clockwise closing cold	1	-