

Five-hole bath mixer for deck mounting with diverter

27 522 809



- 220 mm projection
- complete hand shower set: normal flow
- spout: circular, air-enriched flow
- complete hand shower set with anti-scale system
- automatic bath/shower diverter
- height of mixer 347 mm
- height up to aerator 244 mm
- hole diameter valve 32 mm
- hole diameter spout 32 mm
- hole diameter for complete hand shower set 32 mm
- rosette for complete hand shower set Ø 60mm
- rosette for spout Ø 60mm
- rosette for deck valve Ø 60mm
- metal shower hose 1750mm with integrated anti-twist protection
- max. flow 21.5 l/min at 3 bar flow pressure
- max. flow for complete hand shower set 6.8 l/min

Codes & standards

Intrinsic protection against back flow.

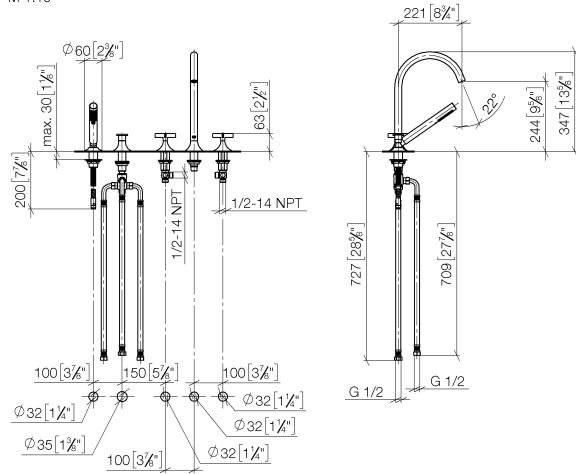
Note: Local building codes may require the use of an anti-scald device. Please refer to remote pressure balance valve (35 910 970 90)

	Chrome	27 522 809-00
	Brushed Platinum	27 522 809-06
	Platinum	27 522 809-08
	Dark Chrome	27 522 809-19
	Brushed Durabronze (23kt Gold)	27 522 809-28
	Brushed Champagne (22kt Gold)	27 522 809-46
	Champagne (22kt Gold)	27 522 809-47
	Brushed Dark Platinum	27 522 809-99

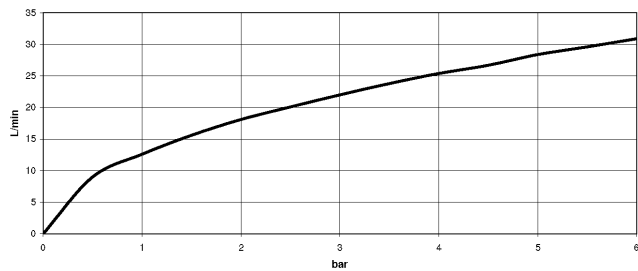
Five-hole bath mixer for deck mounting with diverter

27 522 809

mm [inches]
M 1:10



Flow rate chart



Codes & Standards

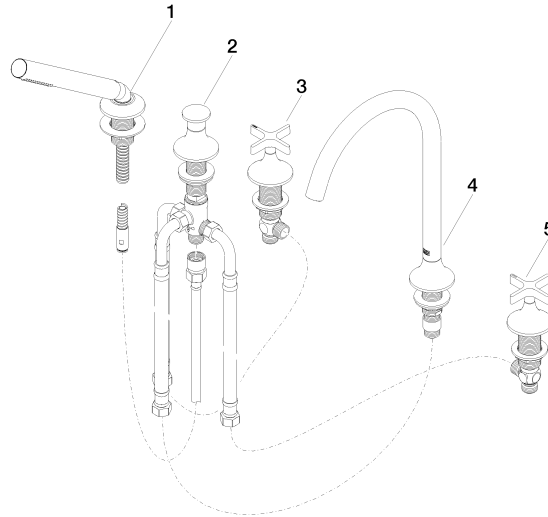
ASME
A112.18.1/CSA
B125.1

California Energy
Commission
(CEC)

Five-hole bath mixer for deck mounting with diverter

27 522 809

Parts for other finishes can be found here: [Brushed](#)
[Platinum](#)



Spare parts list

No.	Item Number	Name	Quantity used	Delivery time
1	27 702 809-00	Hand shower set for bath rim or tile edge installation	1	10
2	29 140 809-00	Two-way diverter for bath rim or tile edge installation	1	10
3	20 000 808-00	Deck valve clockwise closing hot	1	10
4	13 612 809-00	Bath spout without diverter for deck mounting	1	-
5	20 000 809-00	Deck valve clockwise closing cold	1	10