

Bath shower set for bath rim or tile edge installation

27 512 710


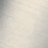


- 215 mm projection
- complete hand shower set: normal flow
- spout: circular, air-enriched flow
- complete hand shower set with anti-scale system
- automatic bath/shower diverter
- height of mixer 110 mm
- height up to aerator 84 mm
- hole diameter valve 32 mm
- hole diameter spout 32 mm
- hole diameter for complete hand shower set 32 mm
- rosette for spout 63 x 63mm
- rosette for complete hand shower set 63 x 63mm
- rosette for deck valve 63 x 63mm
- metal shower hose 1750mm with integrated anti-twist protection
- max. flow 23.5 l/min at 3 bar flow pressure
- max. flow for complete hand shower set 6.8 l/min
- WRAS: 1802015

Codes & standards

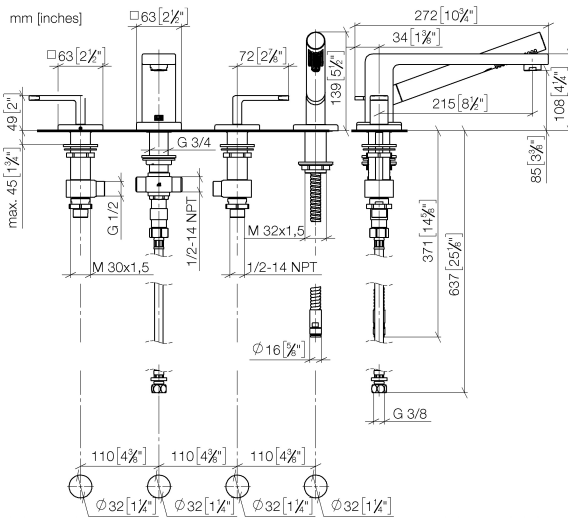
Intrinsic protection against back flow.

Note: Local building codes may require the use of an anti-scald device. Please refer to remote pressure balance valve (35 910 970 90)

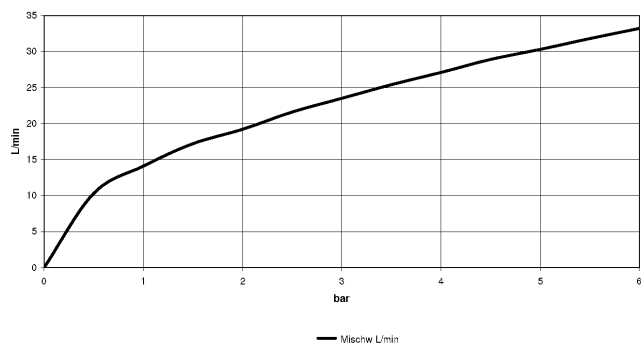
	Chrome	27 512 710-00
	Brushed Platinum	27 512 710-06

Bath shower set for bath rim or tile edge installation

27 512 710



Flow rate chart



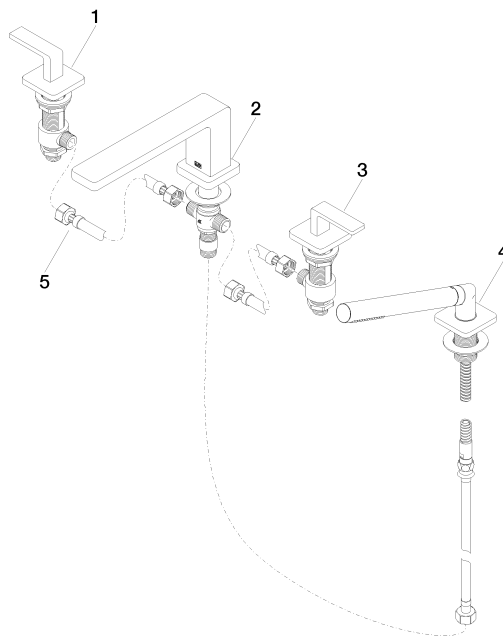
Codes & Standards

ASME A112.18.1/CSA B125.1	California Energy Commission (CEC)
---------------------------------	--

Bath shower set for bath rim or tile edge installation

27 512 710

Parts for other finishes can be found here: [Brushed](#)
[Platinum](#)



Spare parts list

No.	Item Number	Name	Quantity used	Delivery time
1	20 000 710-00	side panel	1	60
2	13 512 710-00	spout	1	60
3	20 000 711-00	side panel	1	60
4	27 702 710-00	Hand shower set for bath rim or tile edge installation	1	-
5	12 502 970 90	High pressure hose 1/2" x 1/2" x 400 mm	1	2