

Three-hole single-lever bath mixer for bath rim or tile edge installation

27 412 845

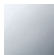


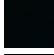



- 200 mm projection
- spout: circular, air-enriched flow
- complete hand shower set with anti-scale system
- automatic bath/shower diverter
- height of mixer 141 mm
- height up to aerator 88 mm
- hole diameter spout 32 mm
- hole diameter single-lever mixer 35 mm
- hole diameter for complete hand shower set 32 mm
- rosette for complete hand shower set Ø 50mm
- metal shower hose 1750mm with integrated anti-twist protection
- max. flow 16.9 l/min at 3 bar flow pressure
- max. flow for complete hand shower set 6.8 l/min

Codes & standards

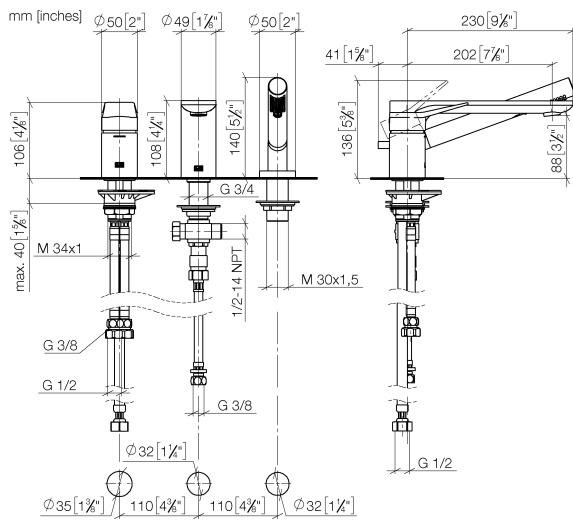
Note: Local building codes may require the use of an anti-scald device. Please refer to remote pressure balance valve (35 910 970 90)

Intrinsic protection against back flow.

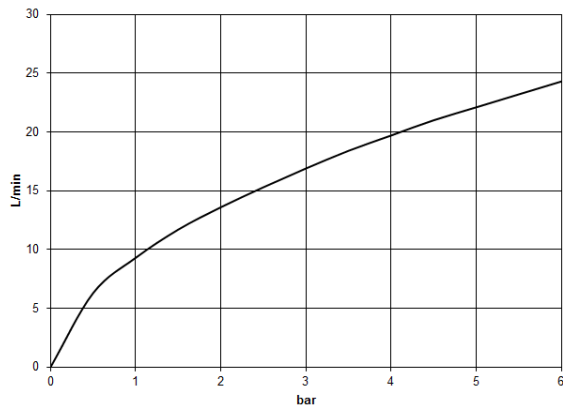
	Chrome	27 412 845-00
	Brushed Platinum	27 412 845-06
	Dark Chrome	27 412 845-19
	Matte Black	27 412 845-33
	Brushed Chrome	27 412 845-93

Three-hole single-lever bath mixer for bath rim or tile edge installation

27 412 845



Flow rate chart



Codes & Standards

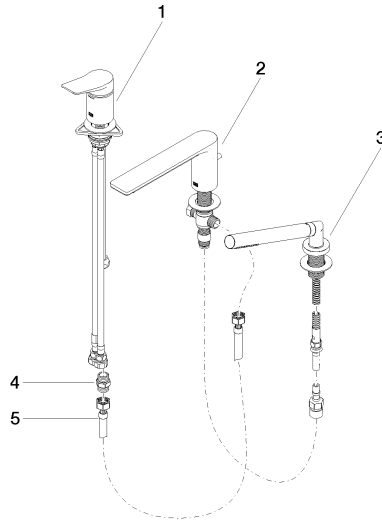
ASME
A112.18.1/CSA
B125.1

California Energy
Commission
(CEC)

Three-hole single-lever bath mixer for bath rim or tile edge installation

27 412 845

Parts for other finishes can be found here: [Brushed](#)
[Platinum](#)



Spare parts list

No.	Item Number	Name	Quantity used	Delivery time
1	29 300 845-00	connection	1	60
2	13 512 845-00	spout	1	10
3	27 702 979-00	Hand shower set for bath rim or tile edge installation	1	10
4	09 24 03 168 10 90	nipple	1	2
5	12 502 970 90	High pressure hose 1/2" x 1/2" x 400 mm	1	2