

Three-hole single-lever bath mixer for bath rim or tile edge installation

27 412 670

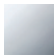




- 224 mm projection
- spout: cascade
- complete hand shower set: normal flow
- complete hand shower set with anti-scale system
- automatic bath/shower diverter
- height of mixer 110 mm
- height up to aerator 138 mm
- hole diameter spout 32 mm
- single-lever mixer hole diameter 35 mm
- hole diameter for complete hand shower set 32 mm
- rosette for mixer 60 x 60mm
- rosette for spout 60 x 60mm
- rosette for complete hand shower set 60 x 60mm
- metal shower hose 2250mm with integrated anti-twist protection
- max. flow 19.2 l/min at 3 bar flow pressure
- max. flow for complete hand shower set 6.8 l/min

Codes & standards

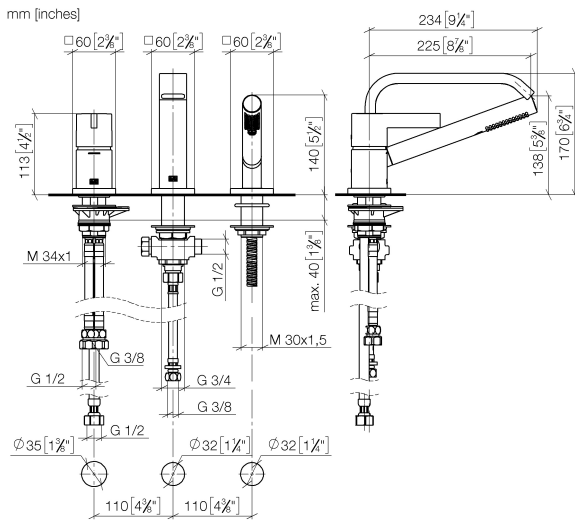
Note: Local building codes may require the use of an anti-scald device. Please refer to remote pressure balance valve (35 910 970 90)

Intrinsic protection against back flow.

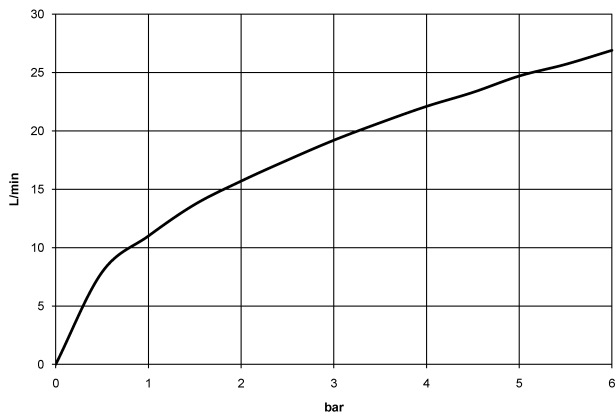
	Chrome	27 412 670-00
	Brushed Platinum	27 412 670-06
	Brushed Chrome	27 412 670-93

Three-hole single-lever bath mixer for bath rim or tile edge installation

27 412 670



Flow rate chart



Codes & Standards

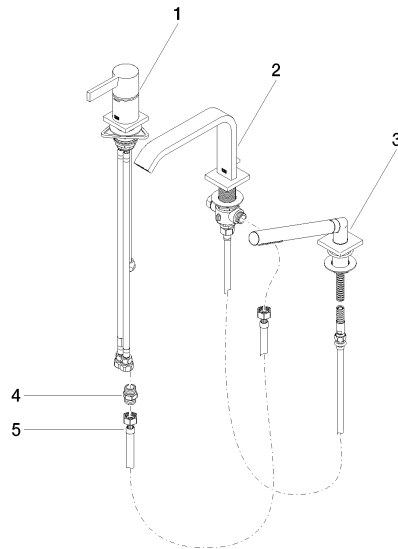
ASME
A112.18.1/CSA
B125.1

California Energy
Commission
(CEC)

Three-hole single-lever bath mixer for bath rim or tile edge installation

27 412 670

Parts for other finishes can be found here: [Brushed](#)
[Platinum](#)



Spare parts list

No.	Item Number	Name	Quantity used	Delivery time
1	29 300 670-00	Single-lever bath mixer for bath rim or tile edge installation	1	10
2	13 512 670-00	spout	1	10
3	27 702 980-00	Hand shower set for bath rim or tile edge installation	1	10
4	09 24 03 168 10 90	nipple	1	2
5	12 502 970 90	High pressure hose 1/2" x 1/2" x 400 mm	1	2