

## Two-hole bath mixer for free-standing assembly with hand shower set

25 943 819



- 221 mm projection
- pivotable spout 360°
- hand shower: normal flow
- spout: circular, air-enriched flow
- hand shower with anti-scale system
- rotary diverter for bath/shower
- total height 920 mm
- stand pipes height 628 mm
- height up to aerator 816 mm
- slide-on rosettes Ø 100 mm
- gauge 150 mm
- metal shower hose 1250mm with integrated anti-twist protection
- pivotable shower holder on the right foot
- max. flow 24.6 l/min at 3 bar flow pressure
- max. hand shower flow 6.8 l/min

### Codes & standards

#### Intrinsic protection against back flow.

**Note: Local building codes may require the use of an anti-scald device. Please refer to remote pressure balance valve (35 910 970 90)**

Intrinsic protection against back flow.

Note: Local building codes may require the use of an anti-scald device. Please refer to remote pressure balance valve (35 910 970 90)

	Chrome	25 943 819-00
	Brushed Platinum	25 943 819-06
	Platinum	25 943 819-08
	Dark Chrome	25 943 819-19
	Brushed Durabronz (23kt Gold)	25 943 819-28
	Brushed Champagne (22kt Gold)	25 943 819-46
	Champagne (22kt Gold)	25 943 819-47
	Brushed Dark Platinum	25 943 819-99

### Required miscellaneous

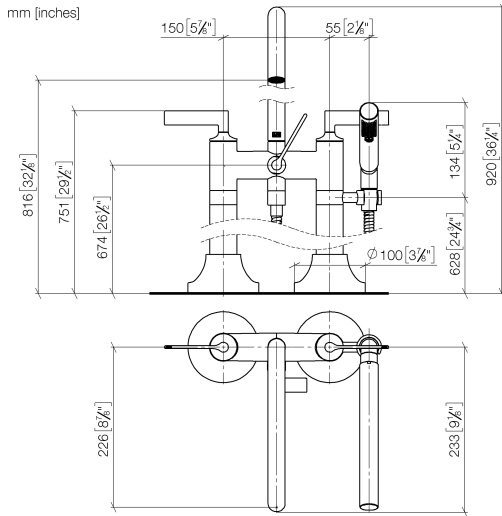


- Concealed floor mounting**
- min. recess depth 80 mm
  - max. recess depth 160 mm

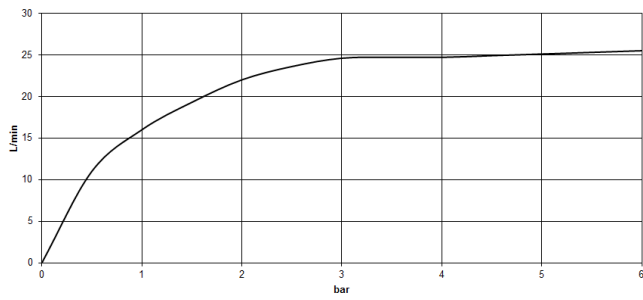
35 951 970-90  
0010

**Two-hole bath mixer for free-standing assembly with hand shower set**

25 943 819



**Flow rate chart**

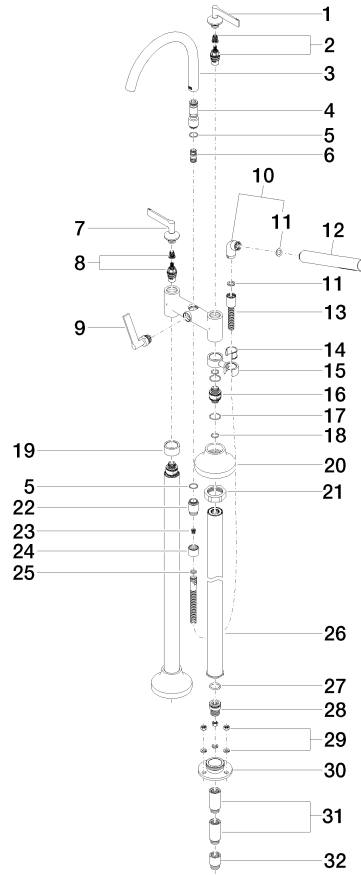


**Codes & Standards**

ASME A112.18.1/CSA B125.1	California Energy Commission (CEC)
---------------------------------	--

Two-hole bath mixer for free-standing assembly with hand shower set

25 943 819





## Two-hole bath mixer for free-standing assembly with hand shower set

25 943 819

### Spare parts list

No.	Item Number	Name	Quantity used	Delivery time
1	90 20 80 012 01-00	handle ( cold )	1	10
2	90 90 03 130 00 90	top	1	2
3	90 28 22 317 00-00	spout	1	10
4	09 24 03 273-00	nipple	1	10
5	09 14 10 032 90	seal	1	2
6	90 21 10 011 00 90	diverter	1	2
7	90 20 80 013 01-00	handle ( hot )	1	10
8	90 90 03 131 00 90	top	1	2
9	90 20 80 015 02-00	handle	1	10
10	04 24 04 189 00-00	nipple	1	10
11	09 14 20 002 90	seal	1	60
12	90 12 11 140 30-00	shower	1	10
13	90 30 02 072 00-00	Metal shower hose 1/2" x 3/8" x 1250 mm	1	10
14	09 18 40 035 90	sleeve	1	2
15	04 28 10 029 01-00	holder	1	10
16	09 29 05 021 20 90	nipple	2	2
17	09 14 10 112 90	seal	4	2
18	09 14 10 055 90	seal	4	2
19	09 28 10 028-00	sleeve	1	10
20	90 27 80 019 00-00	rosette	2	10
21	09 23 30 040-07	nut	2	30
22	09 24 03 121-00	nipple	1	10
23	09 23 01 131 90	back-flow preventer	1	2
24	09 21 02 143-00	sleeve	1	10
25	09 14 20 026 90	seal	1	2
26	04 28 22 009 20-00	connection	2	10
27	09 14 10 081 90	seal	2	2
28	09 24 03 094-07	nipple	2	30
29	04 23 10 023 00 90	fixing set	6	2
30	09 30 11 130-07	connection	2	30
31	09 24 03 081 10 90	extension	4	2
32	09 24 03 080 90	extension	2	2