

Single-lever bath mixer with stand pipe for free-standing assembly with hand shower set

25 863 809



- pivotable spout 360°
- 281 mm projection
- spout: circular, air-enriched flow
- complete hand shower set: normal flow
- bar-type hand shower with anti-scale system
- wall bracket
- automatic bath/shower diverter
- total height 1057 - 1127 mm
- stand pipe height 565 - 635 mm
- height up to aerator 925 – 995 mm
- slide-on rosettes Ø 135 mm
- metal shower hose 1250mm with integrated anti-twist protection
- max. flow 24.6 l/min at 3 bar flow pressure
- max. flow for complete hand shower set 6.8 l/min
- WRAS: 2001027

Codes & standards

Note: Local building codes may require the use of an anti-scald device. Please refer to remote pressure balance valve (35 910 970 90) Intrinsic protection against back flow.

Note: Local building codes may require the use of an anti-scald device. Please refer to remote pressure balance valve (35 910 970 90)

Intrinsic protection against back flow.

	Chrome	25 863 809-00
	Brushed Platinum	25 863 809-06
	Platinum	25 863 809-08
	Dark Chrome	25 863 809-19
	Brushed Durabronze (23kt Gold)	25 863 809-28
	Brushed Champagne (22kt Gold)	25 863 809-46
	Champagne (22kt Gold)	25 863 809-47
	Brushed Dark Platinum	25 863 809-99

Required miscellaneous



- Concealed floor mounting**
- min. recess depth 80 mm
 - max. recess depth 150 mm

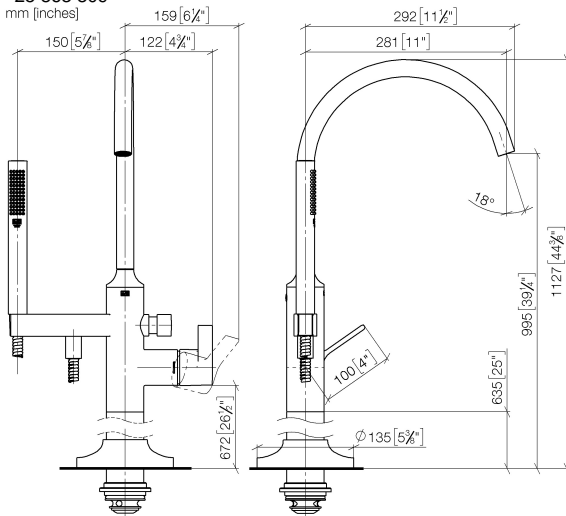
35 949 970-90
0010



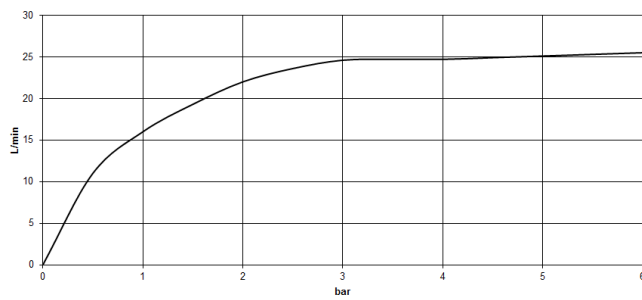
Single-lever bath mixer with stand pipe for free-standing assembly with hand shower set

25 863 809

mm [inches]



Flow rate chart



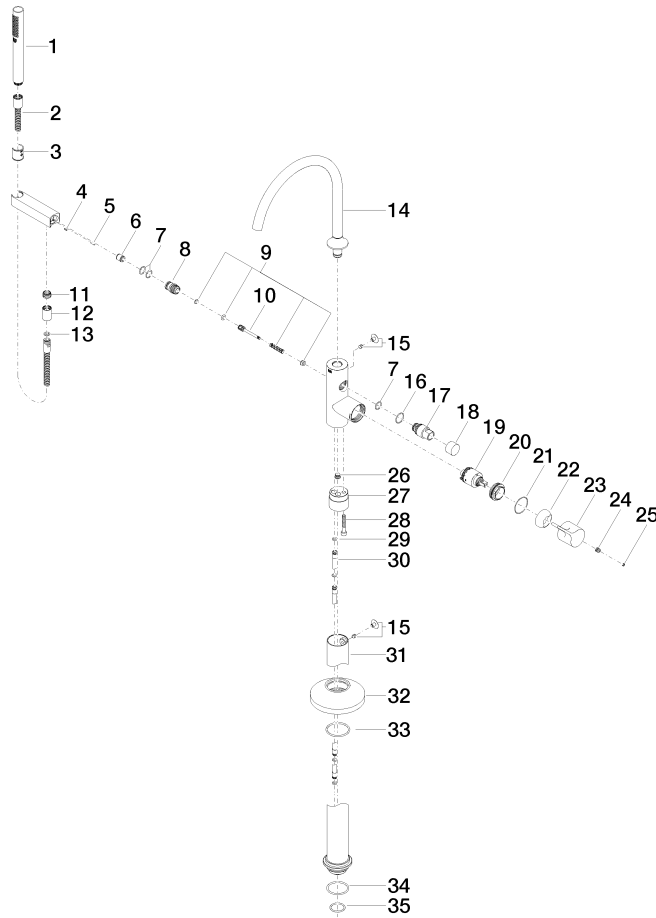
Codes & Standards

ASME
A112.18.1/CSA
B125.1

California Energy
Commission
(CEC)

Single-lever bath mixer with stand pipe for free-standing assembly with hand shower set

25 863 809





Single-lever bath mixer with stand pipe for free-standing assembly with hand shower set

25 863 809

Spare parts list

No.	Item Number	Name	Quantity used	Delivery time
1	90 12 11 140 30-00	shower	1	10
2	90 30 02 072 00-00	Metal shower hose 1/2" x 3/8" x 1250 mm	1	10
3	09 18 40 118 90	sleeve	1	2
4	09 31 11 058 90	pin	1	2
5	09 31 11 040 90	pin	1	2
6	09 23 01 141 90	back-flow preventer	1	2
7	09 14 10 010 90	seal	3	2
8	09 24 03 153 20-00	nipple	1	10
9	90 16 02 023 00 90	spring	1	2
10	09 31 09 102 20-00	pull-rod	1	10
11	09 24 03 069 90	nipple	1	2
12	09 21 02 069-00	cover	1	10
13	09 14 20 026 90	seal	1	2
14	90 28 22 327 00-00	spout	1	10
15	04 31 20 036 00 90	plug	2	2
16	09 14 10 112 90	seal	1	2
17	09 21 34 081 20-00	nipple	1	10
18	09 20 88 002-00	handle	1	10
19	90 15 05 039 00 90	cartridge	1	2
20	09 24 04 298 90	nut	1	2
21	09 14 10 037 90	seal	1	2
22	09 28 30 036-00	cover	1	10
23	09 20 80 022-00	handle	1	10
24	09 31 11 030 90	pin	1	2
25	90 31 20 087 00-00	plug	1	10
26	04 31 20 039 10 90	plug	1	2
27	09 24 03 152 20-00	adaptor	1	10
28	09 30 30 111 90	screw	1	2
29	09 14 10 139 90	seal	2	2
30	04 28 22 025 00 90	connection	2	2
31	04 28 22 030 00-00	pipe	1	10
32	09 27 80 022-00	rosette	1	10
33	09 14 10 129 90	seal	1	2
34	09 14 10 084 90	seal	1	2
35	09 14 10 018 90	seal	1	2