

Single-hole basin mixer with pop-up waste

22 513 892



- 165 mm projection
- US pop-up waste (only used in the USA)
- pivotable spout 360°
- circular, air-enriched flow
- height of mixer 295 mm
- height up to aerator 172 mm
- hole diameter 35 mm
- rosette Ø 59 mm
- 2 x pressure hose with 3/8" cap nut
- max. flow 4.5 l/min
- lead-free

Codes & standards

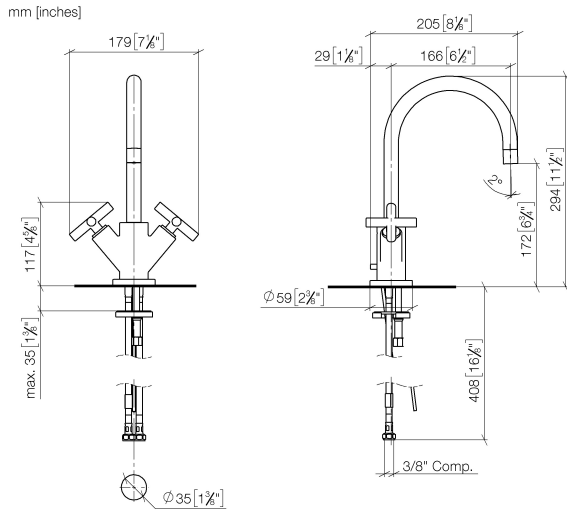
- NSF/ANSI 372
- This product can help a building to meet requirements of Green Building Rating Systems, e.g. LEED®, BREEAM®, DGNB, WELL

	Chrome	22 513 892-00 0010
	Brushed Platinum	22 513 892-06 0010
	Platinum	22 513 892-08 0010
	Matte White	22 513 892-10 0010
	Dark Chrome	22 513 892-19 0010
	Brushed Durabronze (23kt Gold)	22 513 892-28 0010
	Matte Black	22 513 892-33 0010
	Brushed Champagne (22kt Gold)	22 513 892-46 0010
	Champagne (22kt Gold)	22 513 892-47 0010
	Brushed Chrome	22 513 892-93 0010
	Brushed Dark Platinum	22 513 892-99 0010

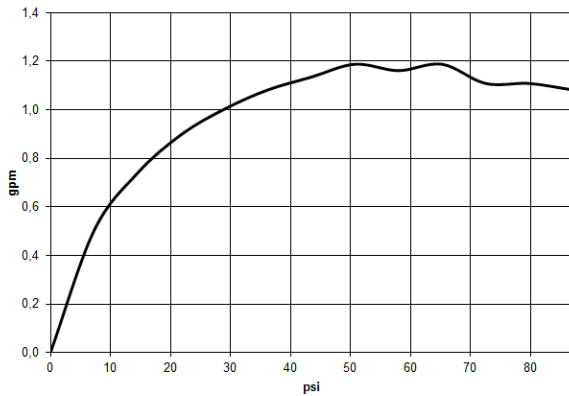


Single-hole basin mixer with pop-up waste

22 513 892



Flow rate chart



Codes & Standards

ADA

ASME
A112.18.1/CSA
B125.1

California Energy
Commission
(CEC)

NSF/ANSI 372

NSF/ANSI/CAN
61



Single-hole basin mixer with pop-up waste

22 513 892

Spare parts list

No.	Item Number	Name	Quantity used	Delivery time
1	90 28 22 213 02-00	spout	2	10
2	90 23 01 028 04-00	aerator	3	10
3	09 20 89 010-00	handle	4	10
4	90 12 12 007 00-00	base	4	10
5	09 30 11 029 90	disc	4	2
6	09 30 11 029 90	disc	4	2
7	90 90 03 151 00 90	top	4	2
8	90 90 03 151 00 90	top	3	2
9	04 20 89 035 80-00	pull-rod	2	10
10	04 20 89 035 80-00	pull-rod	3	10
11	09 28 10 132-00	ring	3	10
12	09 14 10 134 90	seal	2	2
13	04 30 11 038 00 90	fixing set	2	2
14	04 30 11 038 00 90	fixing set	2	2
15	09 31 11 011 90	pin	2	2
16	04 11 01 023 00-00	Basin Waste US 1 1/4"	1	2